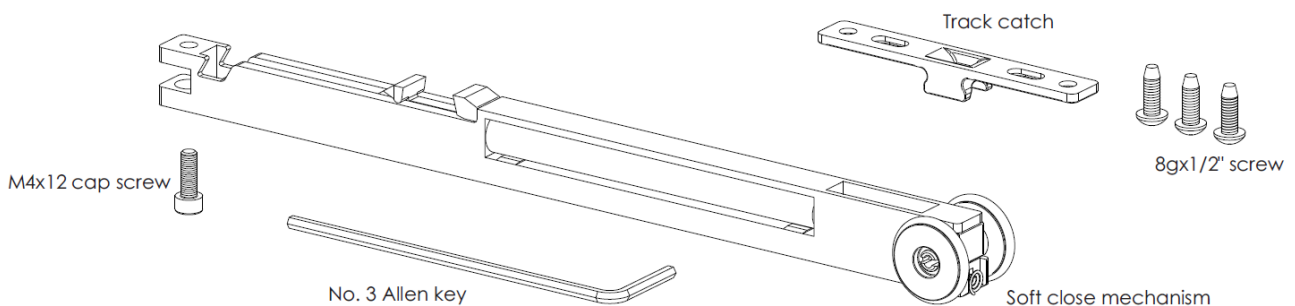


Triline's new soft close accessory is available for our standard Phoenix cavity slider with doors weighing up to 60kg.

The neat design allows the device to be housed inside the track which allows for installation if you decide to incorporate this addition to your cavity at a later time.

The Soft Close 60 is easy to install and simple to operate as the spring and damper work together to control the door. The mechanism catches the moving door and reduces its speed before drawing it towards the jamb ensuring a quiet and soft stop every time. This reduction in speed also means little fingers are kept safe from slamming doors.



Triline's new soft close accessory is available for Hercules, Concept and Zero Clearance cavity sliders with doors weighing up to 80kg.

The neat design allows the device to be housed inside the track ensuring minimum clearances between the track and door are maintained.

The Soft Close 80 is easy to install and simple to operate as the spring and damper work together to control the door. The mechanism catches the moving door and reduces its speed before drawing it towards the jamb ensuring a quiet and soft stop every time. This reduction in speed also means little fingers are kept safe from slamming doors.

