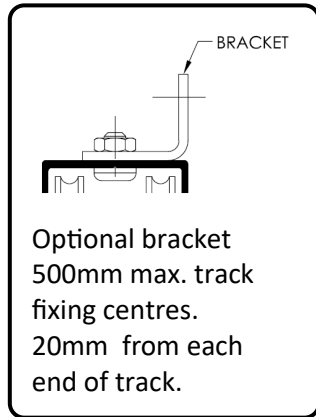
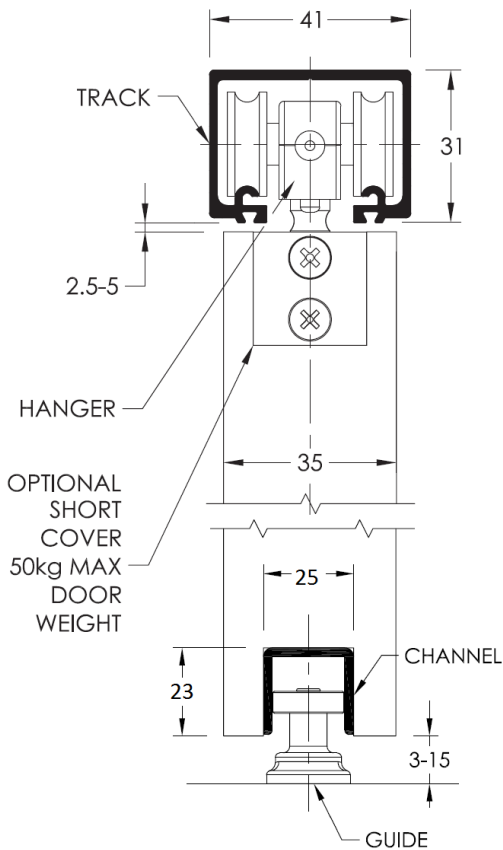


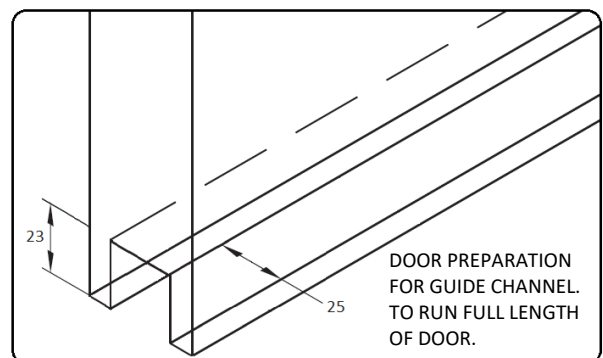
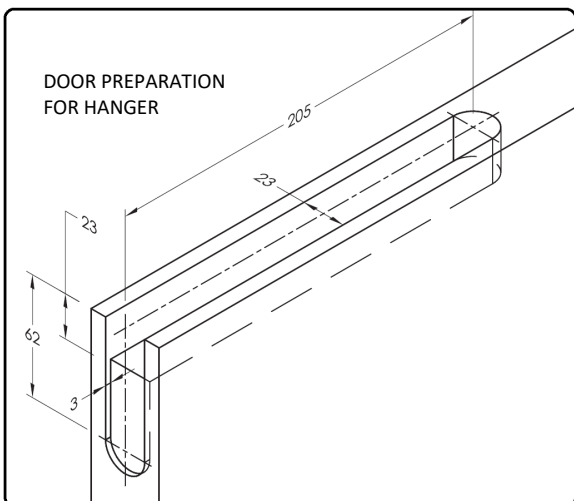
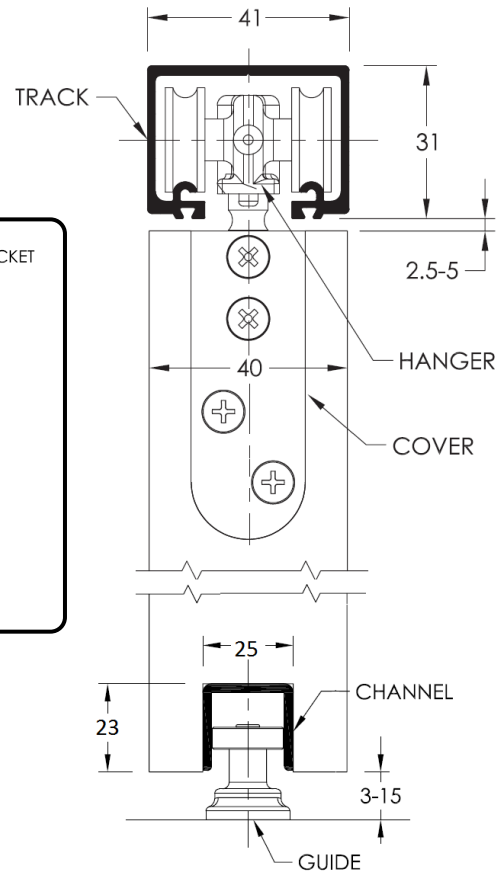
80kg Weight Rating

4-wheel polymer hanger with reinforced nylon outer tyres, with chrome precision bearings. Stainless steel fixing plates and hanger bolts. Standard roller guide.



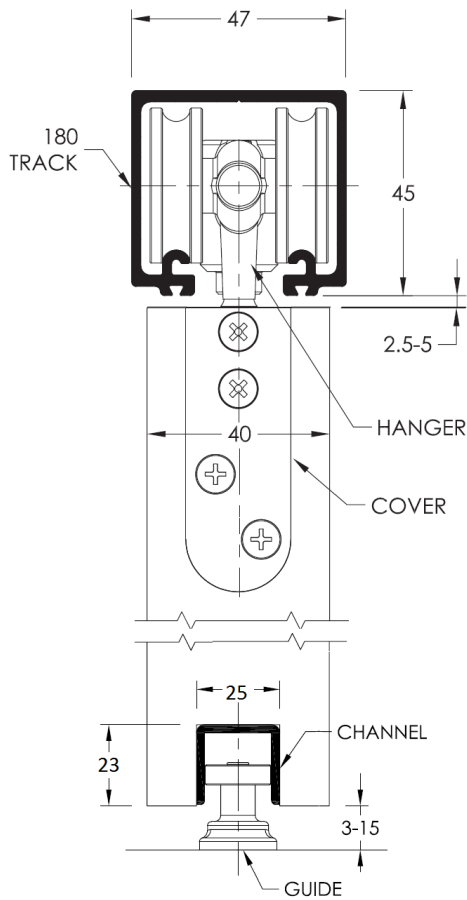
120kg Weight Rating

4-wheel cast stainless steel hanger with reinforced nylon outer tyres, with chrome precision bearings. Stainless steel fixing plates and hanger bolts. Standard roller guide.



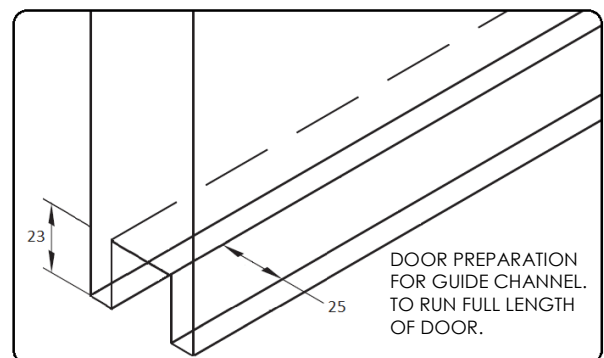
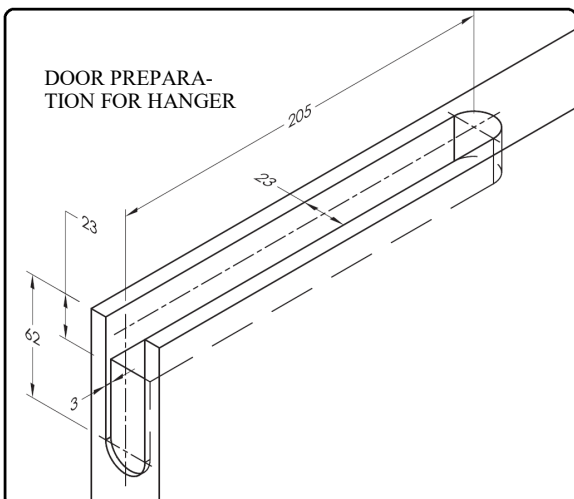
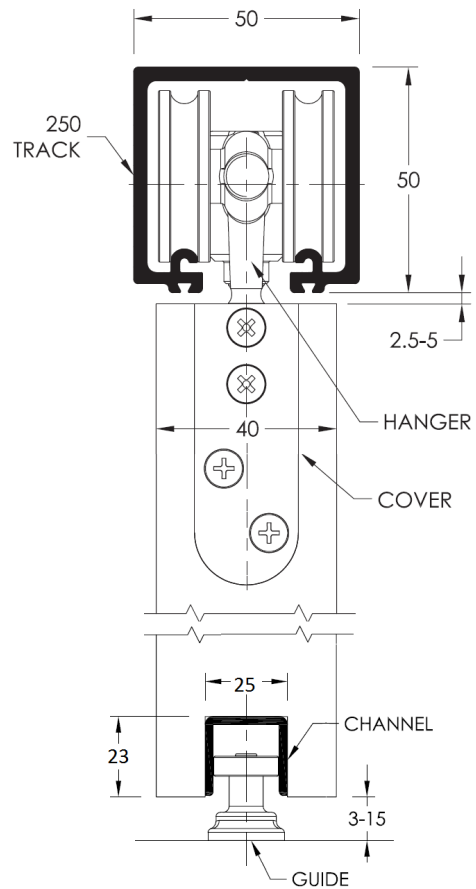
180kg Weight Rating

4-wheel cast marine grade 316 stainless steel hanger with reinforced nylon outer tyres and chrome steel bearings. Stainless steel fixing plates and hanger bolts.
Standard roller guide.

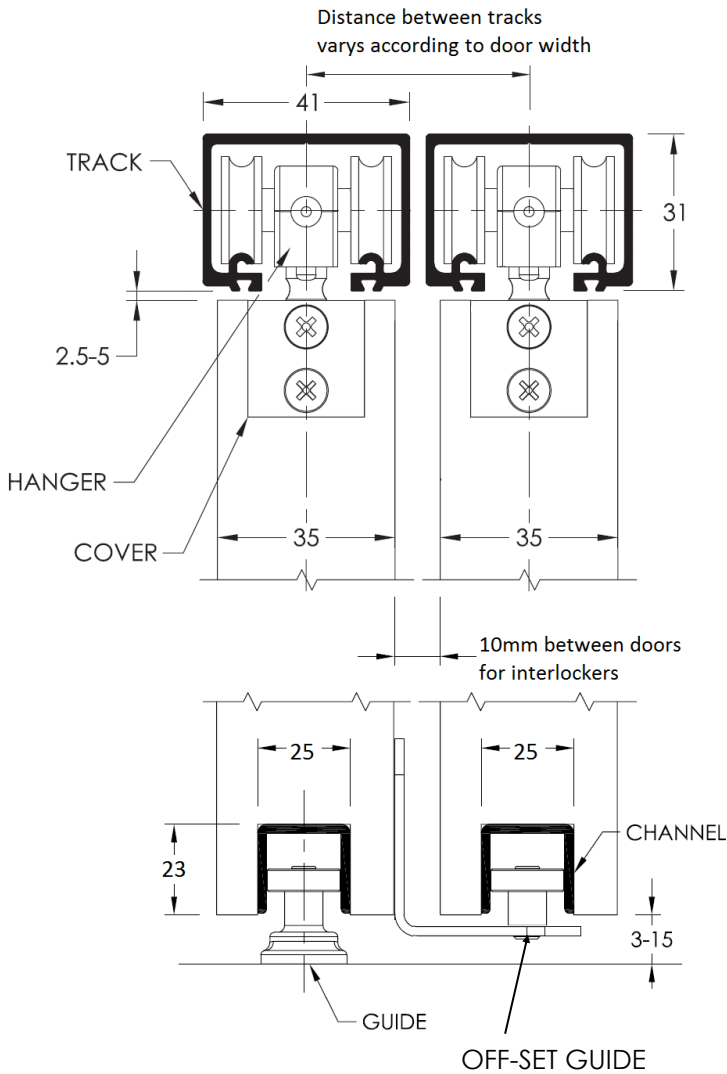


350kg Weight Rating

4-wheel cast marine grade 316 stainless steel hanger with reinforced larger nylon outer tyres and chrome steel bearings. Stainless steel fixing plates and hanger bolts.
Standard roller guide.



ZERO CLEARANCE™ TRACK & FITTINGS 80-120 DOUBLE OVERTAKING SYSTEMS



The Zero Clearance™ 80/120kg track & fittings can be used in a double overtaking configuration where both doors will slide parallel to one side of the opening.

The 4-wheel polymer hanger comes with reinforced nylon outer tyres, with chrome precision bearings, and stainless steel fixing plates and hanger bolts. It comes standard with the roller guide and off-set roller guide or with an optional T guide and off-set guide.

The compact structural aluminium track can be top-fixed through the track to the bulk head, truss or bracket.

