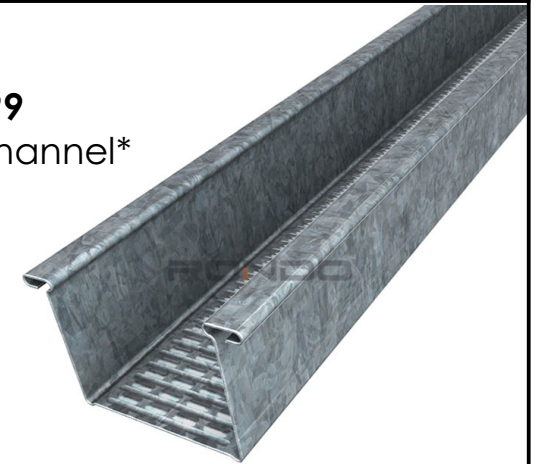
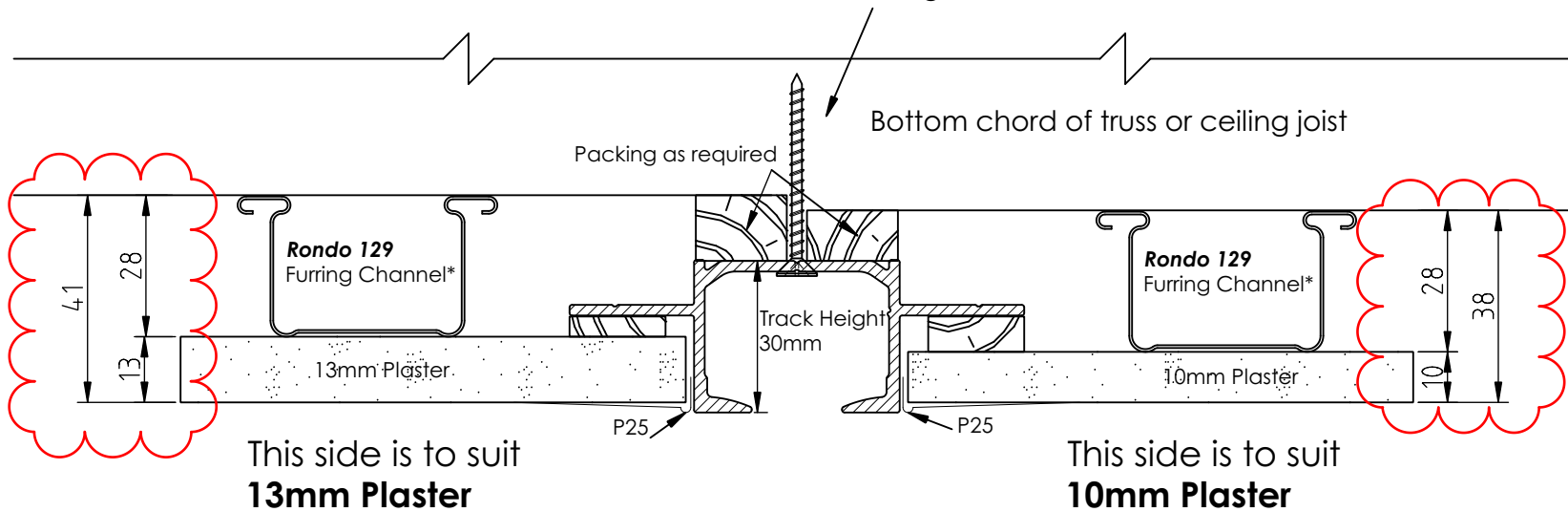


Rondo 129
Furring Channel*



Screw track at
max. 400mm centres
using countersunk screws



Title:	Full Height Track with Rondo 129 Furring Channel	Drawn By:	DGM
Customer:		Date:	10/1/24
Reference:			© Triline 2021

*Refer to Rondo span tables
for furring channel spacing