

INSTALLATION INSTRUCTIONS

Triline Frameless Glass

Maximum door weight:

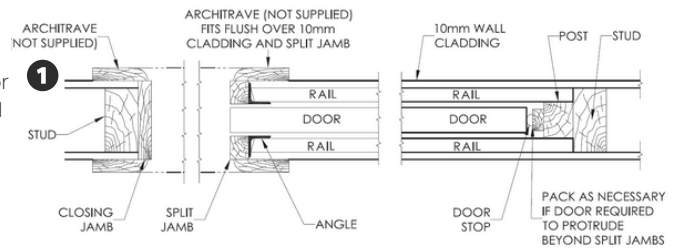
- 90kg as standard
- 120kg - on request

Use of 70mm and 75mm frames is not recommended for bathrooms and laundries where moisture may cause the doors or rails to warp.

1. CHECK

Check that you have purchased the correct Cavity Door Frame for your unclad wall (stud) thickness, lining thickness, door size and door thickness. The design allows for the door to slide into the frame and be flush with the split jambs. **1**

If you require the door to project into the opening, when fully open, pack behind the door stop on the post or install a wider door.



2. PREPARE THE OPENING

Opening width (stud to stud) **2**

Single door: Door width x 2 + 60mm (for door flush with split jambs)
 Double door: Door width x 4 + 60mm (for doors flush with split jambs)

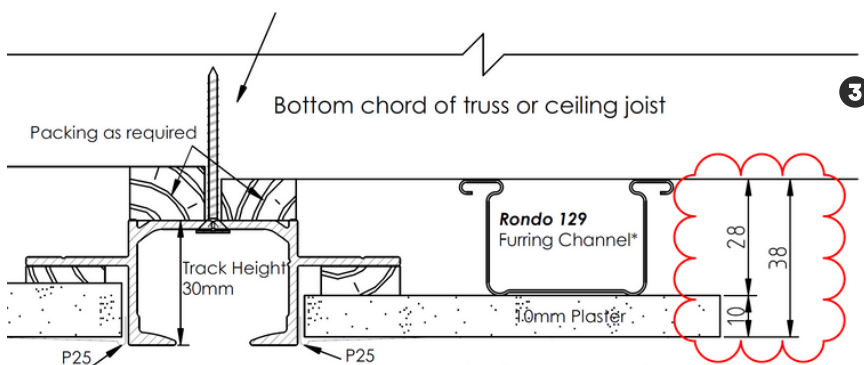
Opening height (floor to trimmer) = door height + 55mm + floor covering thickness
 Frames are designed to fit onto the floor surface (i.e. concrete/timber) before floor coverings.

The clearance under the door is 13mm above the floorcovering.

For full height units - a minimum of 40mm is required between the underside of the ceiling and any joists or trusses above.



3

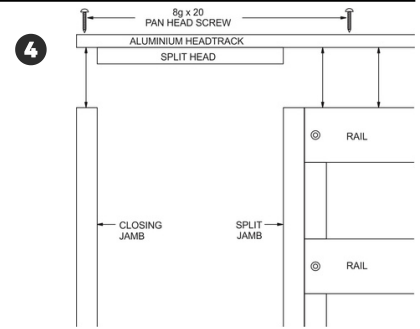


3. ASSEMBLE THE FRAME

The aluminium head-track is to be screwed down to the top of the frame with the split head against the split jamb. Cut the closing jamb to the exact length you require, then screw it to the underside of the aluminium head-track against the split head. **4**

The frame must be installed with the head-track level. Screw the track to the trimmer through the holes in the centre of the track.

DO NOT REMOVE THE MDF BASE FROM THE BOTTOM OF THE FRAME.



4. INSTALL THE FRAME & DOOR INSTALLATION

Ensure that the floor is level beneath the frame.

Place frame into opening, ensuring that it is square, plumb and level.

Pack as necessary between REAR POST and STUD FRAME and fix off to framework and floor.

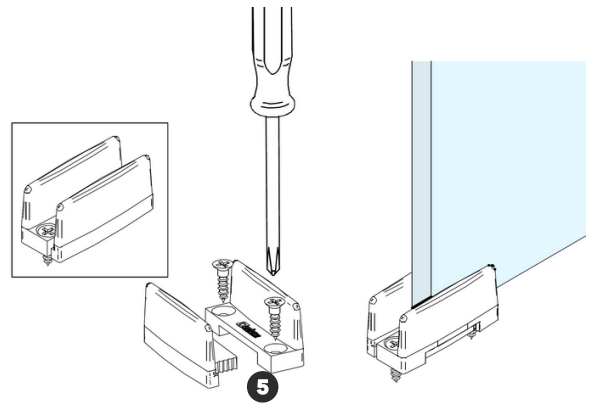
We recommend you hang the door temporarily before the plaster board is clad to make sure the cavity slider fittings are correctly installed.

5. GUIDES

The bottom guide consists of two pieces. **5**

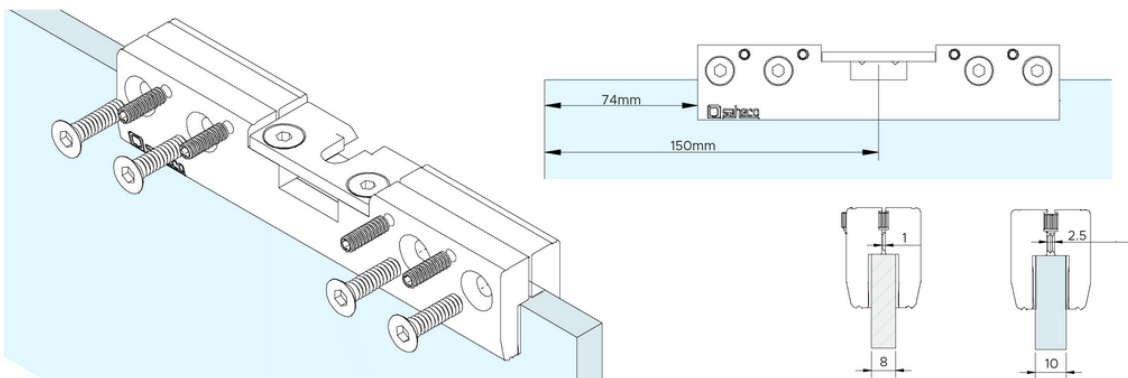
You can adjust the guide in or out depending on how thick the glass panel is. After assembling the pieces together, screw the guide to the floor or base between the split jambs.

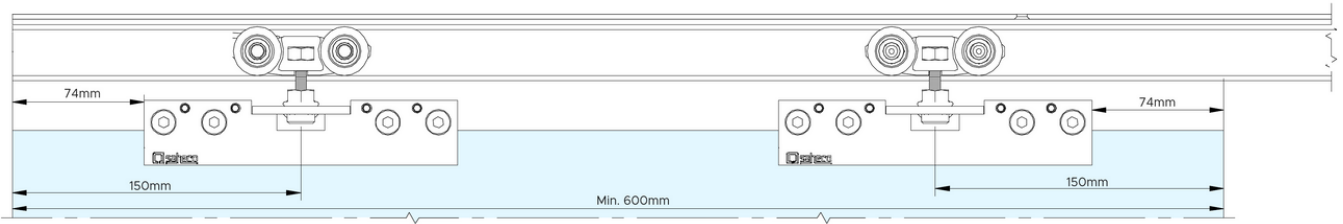
If the guide is set too far back it will disengage with the door when it is fully closed.



6. CLAMP ASSEMBLY

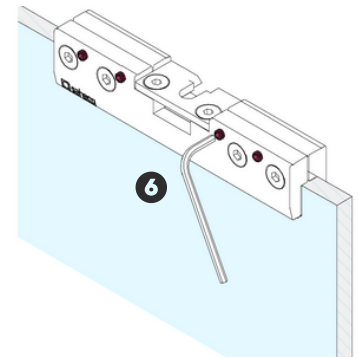
Attach the two clamps to the top of the glass panel. Make sure that the center of the front clamp is positioned 150mm away from the edge of the glass panel. Ensure that the opening of the hanger bolt slot is facing the same direction for both clamps.





7. ADJUST GLASS THICKNESS SCREWS

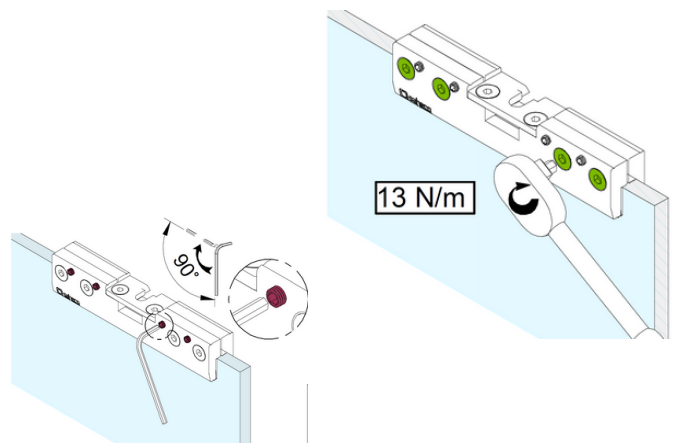
Use an Allen key to adjust the smaller screws according to the thickness of the glass. **6**



8. TIGHTEN CLAMP

After adjusting the smaller screws to fit the glass thickness, tighten the larger screws to secure the glass firmly in place.

Continue adjusting the smaller screws as needed to ensure that the clamp is squared off properly on the glass. This will ensure a secure grip on the glass.

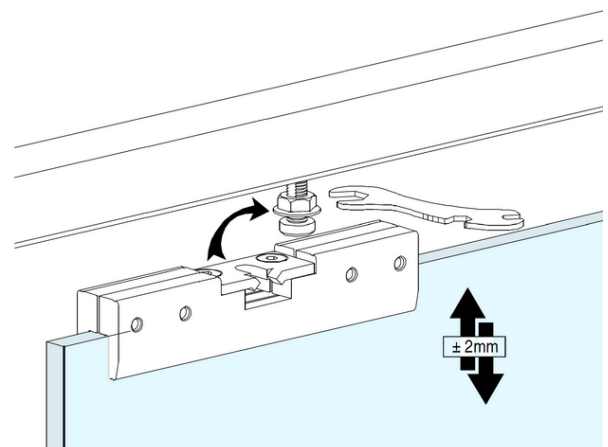


9. HANG DOOR

Insert wheels with bolt into the track. Place the door in line with the track and insert hanger bolt head into the slot in the hanger plate. Insert and fit front hanger bolt into the front clamp. Tighten the flange nut to lock the bolt in place.

To adjust the panel height, rotate the hanger bolt using the Allen key. Clockwise to lower, anticlockwise to raise.

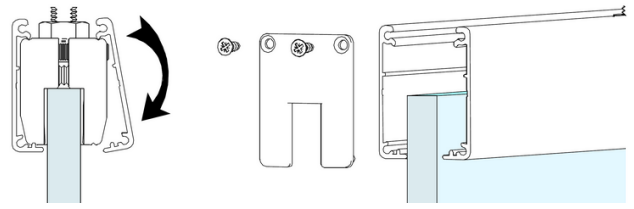
Ensure door is hanging level.



10. FINISHING

To complete the installation, attach the clamp cover pelmets by snapping them onto the clamps. Use the end cover plate only on the front side since the back won't be visible.

IMPORTANT: Secure the clamp covers by applying silicone adhesive or double sided tape to prevent them from sliding forward when the door is operated.

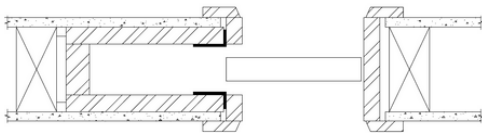


11. CHECK DOOR OPERATION BEFORE THE FRAME IS CLAD

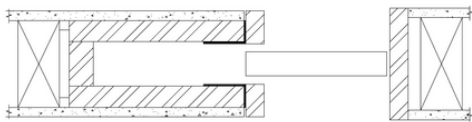
12. TRIM FINISH

Once the wall has been clad, fit architrave, CavKit, P25 or P50 around the jambs and split head, being careful that nails do not penetrate through rails.

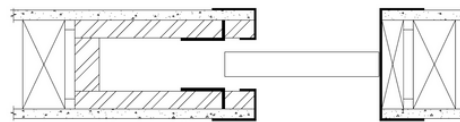
ARCHITRAVES



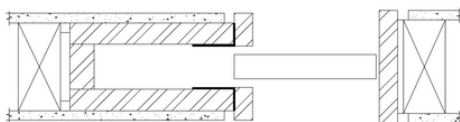
P25



EZYJAMB CAVKIT - INSTALL AS PER INSTRUCTIONS



P50 SHADOW LINE



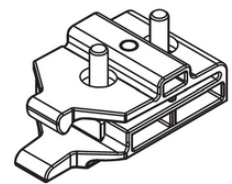
13. TO REMOVE DOOR

The door can be removed by reversing procedures 9 & 10.

14. DOUBLE DOOR INSTALLATION

Assemble frames and install as per steps 4-9. Double units come standard with one-piece double head-track and two track-stops.

As with singles, double frames must be level plumb and checked for alignment (no twist) so door faces line up in the closed position. Once the doors are installed, position the track-stops in the head-track where the doors meet, so that neither of the doors slide fully out of the cavity, past the guides. Once they are in place tighten the screws to secure.



15. FIT ACCESSORIES

Soft close - install as per Soft Closer Installation

Pocket Door Release - will not work with glass door applications

Product improvement is a continuous process & specifications are subject to change without notice.

© COPYRIGHT 2024 E&OE