

INSTALLATION INSTRUCTIONS

Triline Hercules™ Cavity Slider

Maximum door weight:
 - 120kg as standard
 - 180kg, 350kg - optional

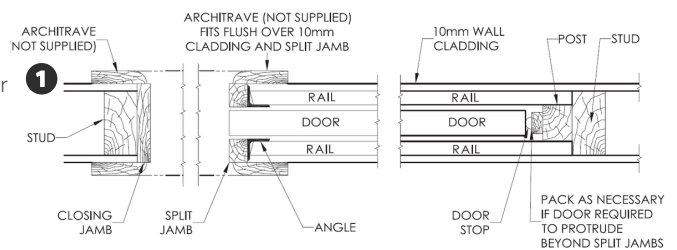
Frames are designed to accept a standard door thickness of 35mm, however 90mm and 100mm frames can be made to accept thicker doors. The frames include quality door hardware supplied by Brio.

Use of 70mm and 75mm frames is not recommended for bathrooms and laundries where moisture may cause the doors or rails to warp.

1. CHECK

Check that you have purchased the correct Cavity Door Frame for your unclad wall (stud) thickness, lining thickness, door size and door thickness. The design allows for the door to slide into the frame and be flush with the split jambs. **1**

If you require the door to project into the opening, when fully open, pack behind the door stop on the post or install a wider door.



2. PREPARE THE OPENING

Opening width (stud to stud) **2**

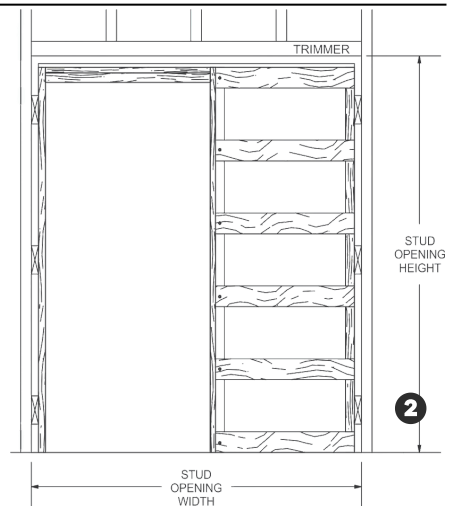
Single door: Door width x 2 + 60mm (for door flush with split jambs)

Double door: Door width x 4 + 60mm (for doors flush with split jambs)

Opening height (floor to trimmer) = door height + 75mm

Frames are designed to fit onto the floor surface (i.e. concrete/timber) before floor coverings.

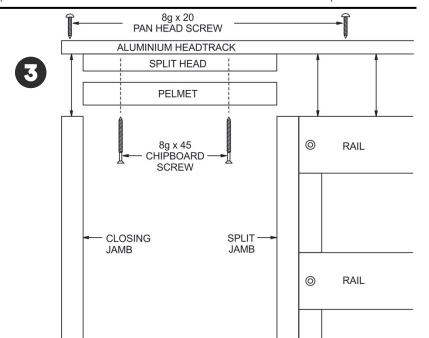
The clearance under the door is adjustable from approximately 7 – 16mm. This gap may be taken up by floor covering e.g. carpet, tiles, vinyl etc. If you require more than 16mm clearance under the door, pack the cavity door frame off the floor by the required amount.



3. ASSEMBLE THE FRAME

The aluminium head-track is to be screwed down to the top of the frame with the split head against the split jamb. Cut the closing jamb to the exact length you require, then screw it to the underside of the aluminium head-track against the split head. **3**

The frame must be installed with the head-track level. Screw the track to the trimmer through the holes in the centre of the track. Do not remove the MDF base from the bottom of the frame.



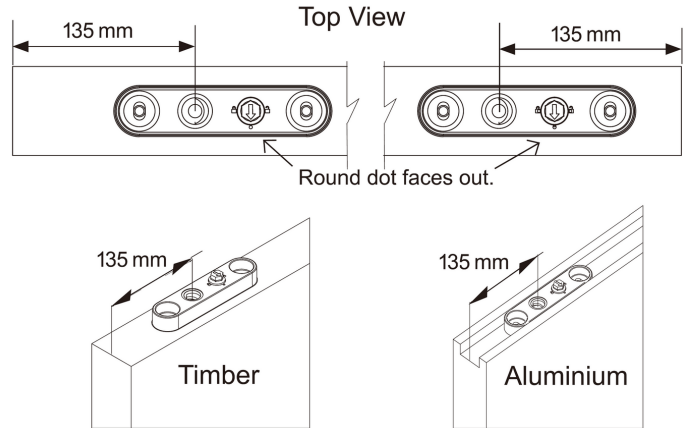
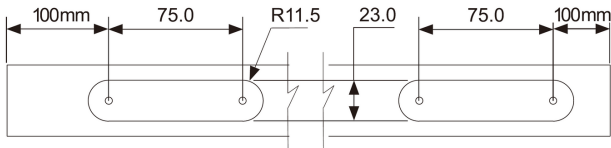
4. INSTALL THE FRAME & DOOR INSTALLATION

Ensure that the floor is level beneath the frame.
Place frame into opening, ensuring that it is square, plumb and level.
Pack as necessary between REAR POST and STUD FRAME and fix off to framework and floor.

We recommend you hang the door temporarily before the plaster board is clad to make sure the cavity slider fittings are correctly installed. However, we recommend that you remove the door again before plaster board is clad and only rehang the door when plaster is dry and the door has been completely sealed and painted.

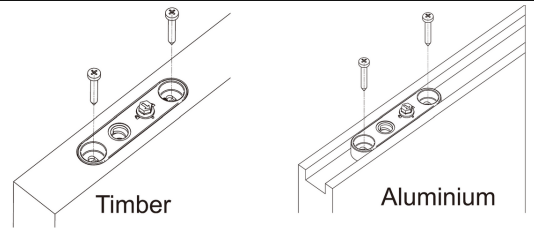
5. PANEL PREPARATION

Prepare the door panel for the mounting brackets.
Use bracket as template to mark the hole positions on panel.
Make sure the 2 hanger brackets are in the same orientation.
Rout 12mm recessed slot (timber only) and pre-drill pilot holes for 10G screws.



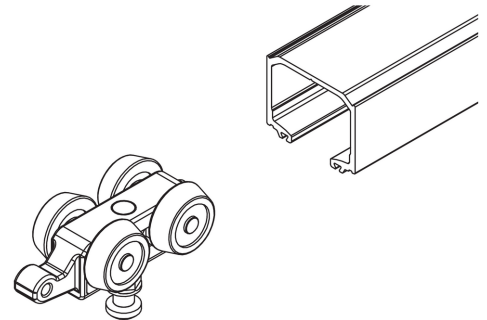
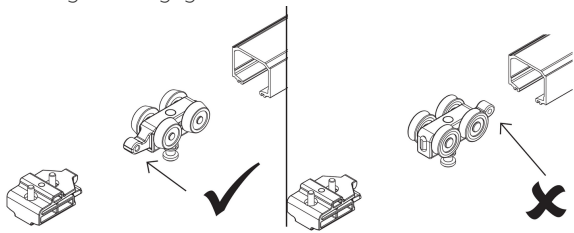
6. FIT HANGER PLATES

Fix bracket with mounting screws provided.



7. HANG DOOR

Insert hanger with bolt into the track.
If using 120CS clip stops, ensure correct orientation of hanger to engage the 120CS.

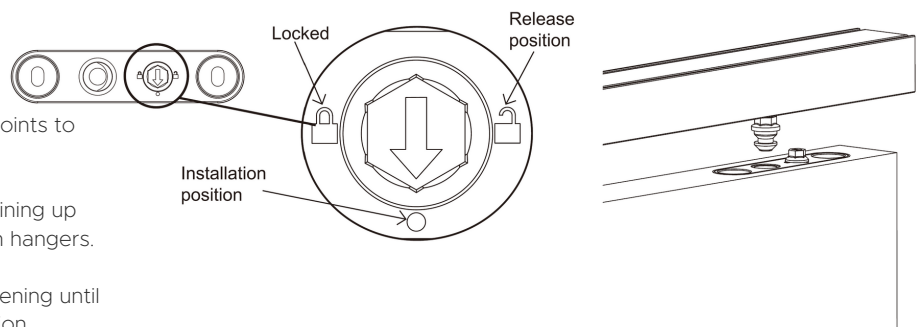


8. ATTACH PANEL TO HANGER

Make sure the arrow on the locking lever points to the round dot.

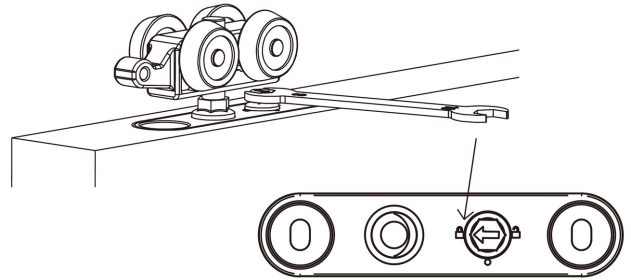
Carefully lift the door panel with brackets, lining up the opening of the bracket with the bolt on hangers.

Locate the hanger bolt into the bracket opening until the locking lever clips into the locked position.



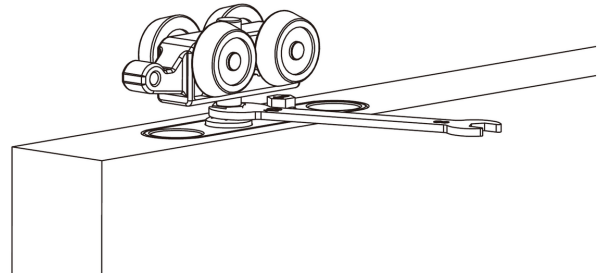
9. LOCKING

Use the spanner to turn the locking lever 90 degrees clockwise so the arrow points to the lock symbol.



10. ADJUSTMENT

Using the provided spanner, adjust the door height to align the face of the door edge to be flush with the split jambs. Clockwise rotation will lower the panel, and anti-clockwise will raise the panel.



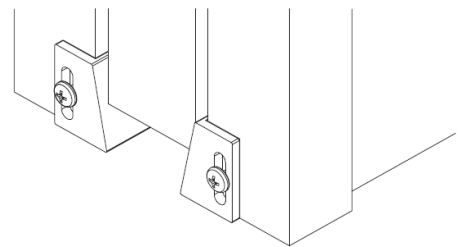
11. FINISHING

Slide the door across to the closing jamb, pack the jamb, and secure it in position by nailing to align with the door edge.

Nail the fixed pelmet to the split head between the split jamb and closing jamb. Fit the removable pelmet with the screws provided, on the same side as the slots on the hanger plates.

12. GUIDES

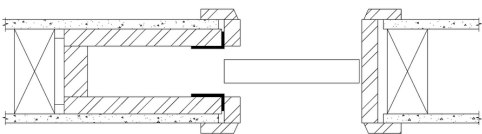
Screw the wedge guides to the split jambs and adjust vertically to ensure the door is centred between the split jambs, allowing for smooth sliding between the guides.



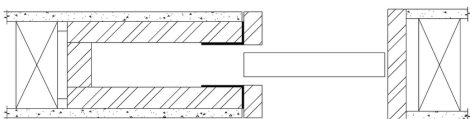
13. TRIM FINISH

Once the wall has been clad, fit architrave, CavKit, P25 or P50 around the jambs and split head, being careful that nails do not penetrate through rails.

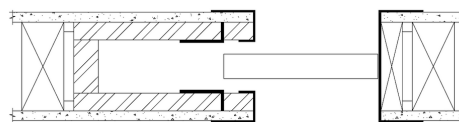
ARCHITRAVES



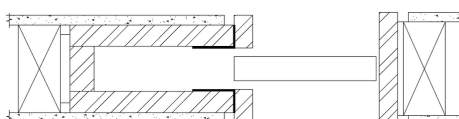
P25



EZYJAMB CAVKIT - INSTALL AS PER INSTRUCTIONS



P50 SHADOW LINE



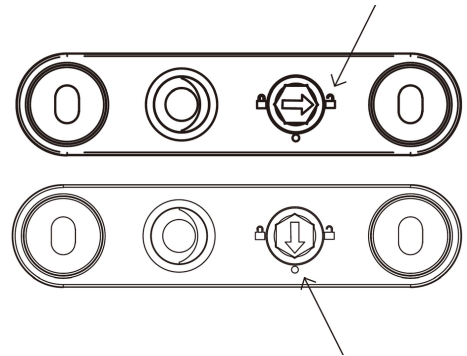
14. TO REMOVE DOOR

The door can be removed by reversing procedures 8, 9 & 10.

15. RELEASING THE PANEL

To release the panel, support the panel and turn the locking lever anti-clockwise to the released position and then lower the panel.

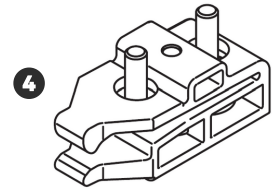
Make sure to turn the locking lever to installation position after the panel is removed.



16. DOUBLE DOOR INSTALLATION

Assemble frames and install as per steps 3-8. Double units come standard with one-piece double head-track and two track-stops. **4**

As with singles, double frames must be level plumb and checked for alignment (no twist) so door faces line up in the closed position. Once the doors are installed, position the track-stops in the head-track where the doors meet, so that neither of the doors slide fully out of the cavity, past the guides. Once they are in place tighten the screws to secure.



17. CHECK DOOR OPERATION BEFORE THE FRAME IS CLAD

Once the wall has been clad, fit architrave, cavkit or finishing bead around the jambs and split head, being careful that fixings don't penetrate through rails into the door panel.

18. FIT ACCESSORIES

Soft close - install as per Soft Closer Installation

Pocket Door Release - install as per Door Release Installation

Product improvement is a continuous process & specifications are subject to change without notice.

© COPYRIGHT 2023 E&OE