

TRILINE INVISIBLE HINGE

Thanks to the *argenta® invisible*, the door closes perfectly in line with the wall without any of the hinge being visible. This invisible hinge allows you to open any door to 180°.



the invisible
design hinge

2020

PRODUCT INFORMATION

In Detail

The sublime design series argenta® invisible neo offers a perfect, pure, and aesthetic finish (no visible screws) together with a sophisticated, faster, and simpler installation facility.

Triline's invisible hinge is made by top quality Belgium components

The Argenta® invisible neo is a series of invisible hinges with an exceptionally high and sublime finish: not a single screw is visible.

You can adjust these hinges with precision easily, flexibly, and quickly, thanks to the built in height-adjustment system. This unique system means you no longer need to put any wedges under the door to set the height.

The hinge casing in the door can be assembled beforehand in the workshop if required.

- Pure and qualitative design
- No visible screws
- Universal: for left and right-opening doors
- "Easy-hook": installation and 3D without taking the door off
- adjustment by one person
- Extra simplified height adjustment: no wedge required
- 180° opening angle
- 3D adjustable (height, width, and depth)

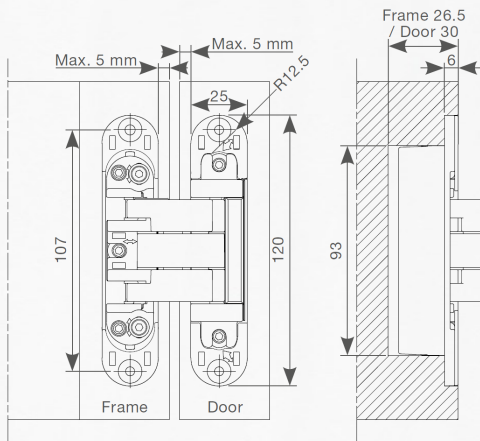
INVISIBLE HINGE	NEO S-5	NEO M-6	NEO L-7
Material	Zamak		
Finish (Stainless Steel in Stock—Check Lead Times for Other Finishes)	Matt Chrome, Chrome Glossy, Stainless Steel, Tar Black		
Door Thickness	Min. 33mm	Min. 36mm	Min. 40mm
Door Thickness with Max Front Panel	35mm	40mm	46mm
Door Weight (2 pcs)	Up to 60kg	Up to 80kg	Up to 100kg
Door Weight (3 pcs)	Up to 80kg	Up to 100kg	Up to 150kg
Overall Depth	26.5mm (Frame)/30mm (Door)	30mm (Frame)/32mm (Door)	33mm (Frame)/36mm (Door)
Dimensions (HxW)	120 x 25mm	140 x 28mm	170 x 32mm
Installation & Adjustment	Easy-Hook		
Height Adjustment	-2.5/+2.5mm	-3.0/+3.0mm	-3.0/+3.0mm
Width Adjustment	-3.0/+4.0mm	-3.0/+4.0mm	-3.0/+4.0mm
Pressure (Depth Adjustment)	-1.0/+1.0mm	-1.5/+1.5mm	-1.5/+1.5mm
Max. Front Panel (Cladding) Size	5mm	6mm	7mm

How To Specify

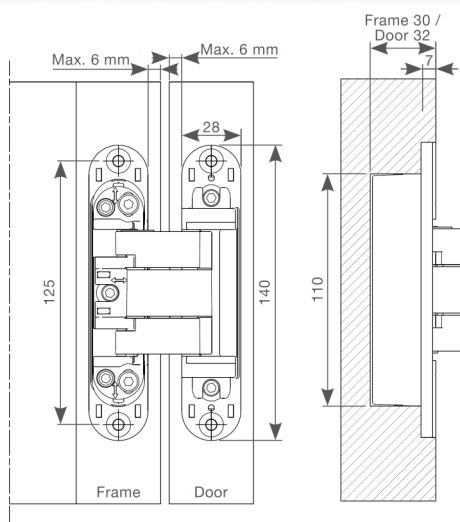
Triline Argenta® Invisible Neo S-5, M-6, or L-7

Finish Type

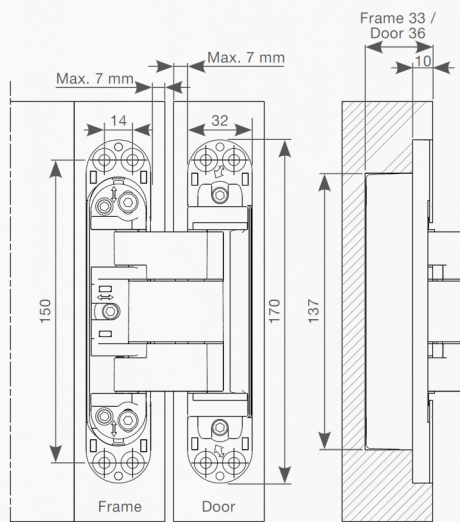
Quantity Required



S-5



M-6



L-7





BENEFITS OF USING INVISIBLE HINGE

- Concealed hinge
- 3D adjustment: easily adjustable for height, width and depth without removing the door
- Universal: can be used with left- or right-opening doors
- Compact dimensions
- Sturdy mounting prevents sagging, even after intensive use
- Fully mounted on plastic washers
- Fingers are protected because of the minimal space between the door and the frame
- Opening angle 180°
- Easy to install
- Durable: open and shutting movement cycle tests (min. 200,000)
- Milling dimensions are the same in door panel as in door frame.

SPECIAL APPLICATIONS

- Clean rooms (hospital, medical industry, etc.)
 - no lubrication or maintenance needed
 - optional: stainless steel fasteners and fittings (for outside use, swimming pools)