

# Pivotica

INTERNAL SWING DOORS



TRILINE 2023

1300 239 206  
sales@triline.net.au

@trilinedoors  
facebook.com/trilinequalitydoorsystems

triline.net.au

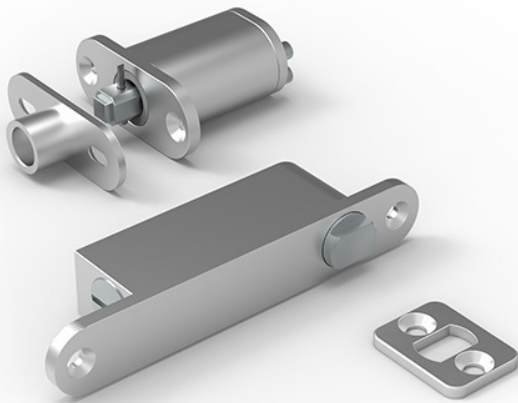
**triline**

## PIVOTICA 45

The Pivotica (45kg) is a concealed pivot hinge for interior pivot doors up to 45kg in weight. The kit includes the Magnotica®<sup>®</sup>, a contactless door-closing magnetic catch in a grey finish.

This compact pivot hinge Kit is easy to install and ideal for today's new builds or renovations. The Pivotica pivot is the perfect solution whether you are using single, double or floor-to-ceiling doors. It will hold the door at 90 degrees or closed and it is suitable for use with floors with underfloor heating.

This innovative pivot hinge even allows for the pivot point on the door to be chosen freely (at a minimum of 40 mm from the side of the door) enabling doors to be rotated from the middle if wanted.





## FEATURES



Max Door Size

3000mm High  
1500mm Wide



Door Thickness

Min. 40mm



Door Weight

Max 45kg



Opening Angle

Max 180°



Fix Position

+90° | -90°



## Pivotica

Thanks to the argenta pivotica architects can use spaces and walls creatively, seeing how the pivot hinge does not require a door frame and the door can be aligned perfectly with the wall. All parts of this pivot hinge are rust-resistant.

The argenta pivotica is suitable for indoor use of both modern residential buildings as well as public buildings and offices. The argenta pivotica is preferably used in combination with the argenta magnetica Pro, a contactless doormagnet. See next page.

## What are the benefits?

### Ease of use

- Easy installation
- Opening angle in both directions up to 150°
- Fixed settings at 90° in both directions
- Free choice of rotating position (hinge point)
- Adjustable outlining (straight outlining)
- Pivot system to be mounted in the doorpanel and not (as usual) in the floor or ceiling

### Safety

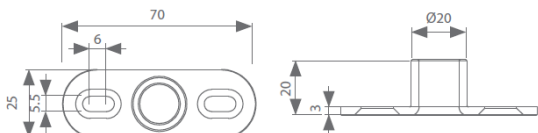
#### Safety

- Child-friendly (easy to open)

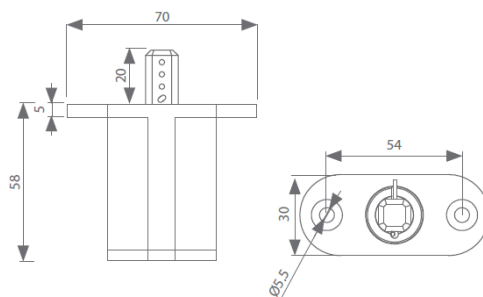
### Aesthetics

- Invisible
- Available for floor-to-ceiling-height doors
- Invisible door closer

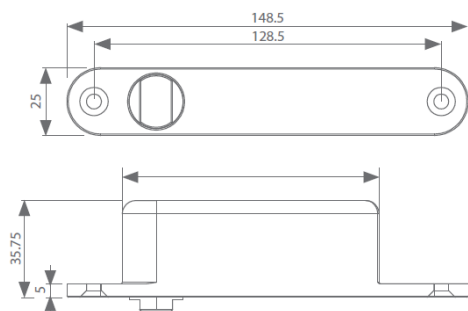
### Upper part door opening



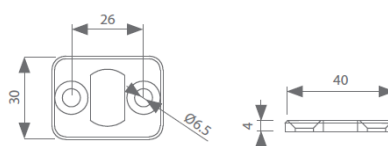
### Upper part in door leaf



### Base part in door leaf



### Base part in floor



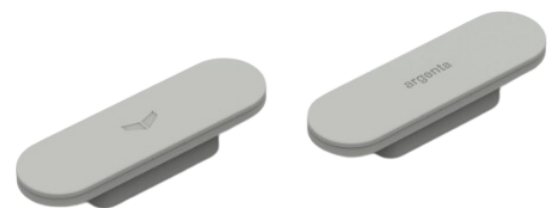
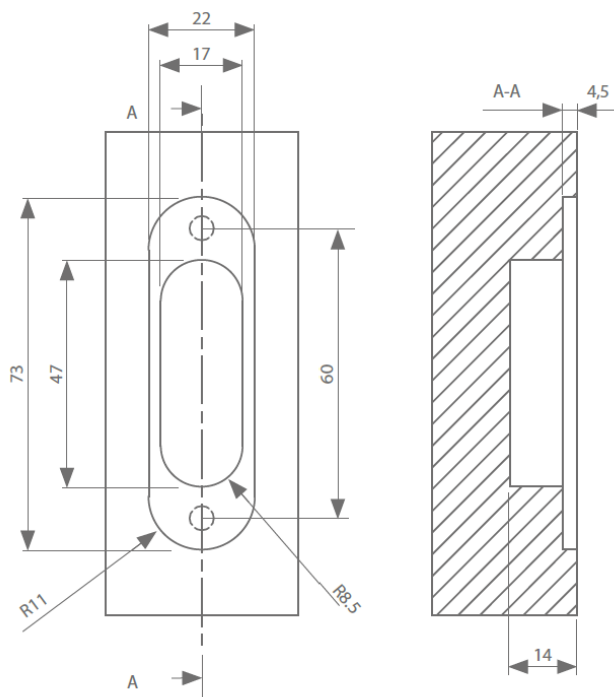
# MAGNOTICA PRO

The magnotica pro is a magnetic and contactless door closer which holds interior doors shut without the need for a door handle or latch. Because there are no moving parts, the door can be opened and closed completely without making any noise.

The magnotica pro is ideal in combination with all argenta pivoting hinges and the argenta® invisidoor door frames. The contactless door closer can be used both vertically (reveal of the door leaf) and horizontally (top of the door leaf ) on any type of door frame.

## What are the benefits?

- No moving parts to wear out
- Silent mechanism due to no friction
- Door can be opened and closed noiselessly without a door handle or latch
- Doors are quick and easy to open and close
- Perfect integration in the argenta invisidoor DL or 2.0 possible
- Ideal for doors to walk-in closets or storerooms
- Perfect for keeping pivoting doors in their closed position
- Thanks to the extra cover plate the screws are concealed
- Available in white, black or grey





triline.  
net.au

Head Office/Factory  
86 Sunderland Street  
Derwent Park TAS 7009

1300 239 206  
sales@triline.net.au

[linkedin.com/company/triline](https://www.linkedin.com/company/triline)  
[facebook.com/trilinequalitydoorsystems](https://www.facebook.com/trilinequalitydoorsystems)

@trilinedoors  
triline.net.au