

Pivotica Pro 100

INTERNAL SWING DOORS



TRILINE 2023

1300 239 206
sales@triline.net.au

@trilinedoors
facebook.com/trilinequalitydoorsystems

triline.net.au

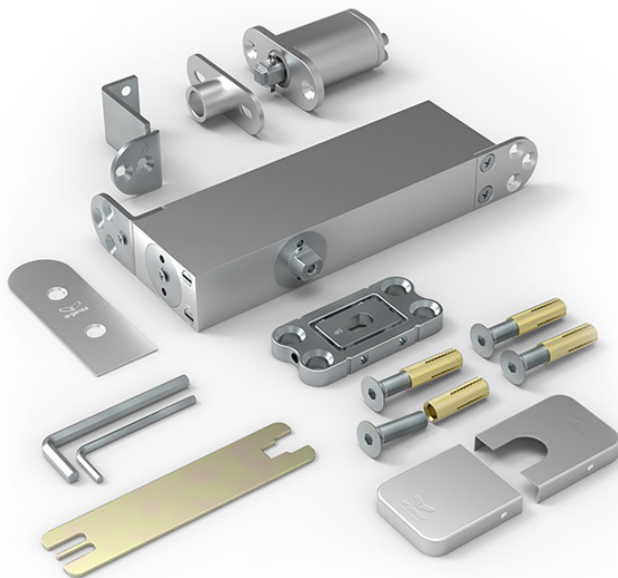
triline

PIVOTICA PRO 100

The Pivotica Pro 100 is a concealed pivot hinge for interior pivot doors up to 100kg in weight.

The decision to use pivoting interior doors primarily depends on personal preferences. These doors have an attractive appearance, especially when they fit flush with the wall, even when open. Additionally, due to their compact size, pivoting hinges can be applied to floor-to-ceiling doors as well.

The pivot point's flexibility allows for creative possibilities, as it eliminates the requirement for a door frame. Consequently, the door can be seamlessly aligned with the wall.





FEATURES



Max Door Size

3000mm High
2000mm Wide



Door Thickness

Min. 40mm - Max. 100mm



Door Weight

Max 100kg



Opening Angle

Max 150°



Holding Position

+90° | -90°



Triline Internal Swing Doors

Pivotica Pro 100

The ultimate door solution that brings ease and versatility to your projects! Whether floor-mounted or built into the floor for minimal clearance, this hinge ensures a seamless installation in fully finished door openings. With adjustable positioning, you can place it centrally, off-center, or at the door's corner, tailoring it to your needs.

Rest easy knowing it complies with the stringent EN1154 standard for door closure mechanisms, ensuring top-notch performance and safety. Need fire resistance? Opt for the 30-minute fire-resistant version with the interdens kit. For taller doors, the Argenta Magnotica Pro offers a contactless magnetic closure mechanism. Elevate your doors with the Argenta Pivotica Pro Hinge

What are the benefits?

Ease of use

- Easy surface-mounted or built-in installation
- Opening angle in both directions up to 150°
- With or without holding position at 90° in both directions
- Safe for underfloor heating applications (when floor-mounted)
- Free choice of pivot position (hinge point)
- Adjustable alignment (straight alignment)
- Adjustable bottom plate

Safety

- Child-friendly (easy to open)
- Complies with EN1154 standard for door closing mechanisms

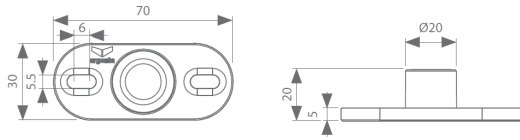
Aesthetics

- Invisible
- Available for floor-to-ceiling-height doors
- Invisible door closer
- Black caps (incl. black screws) available as an option

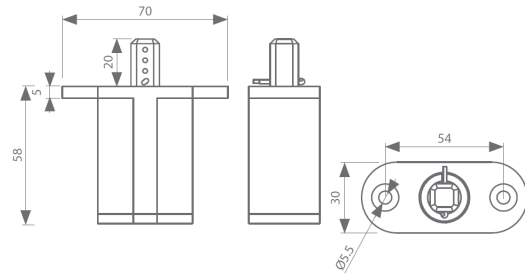


Technical Drawings

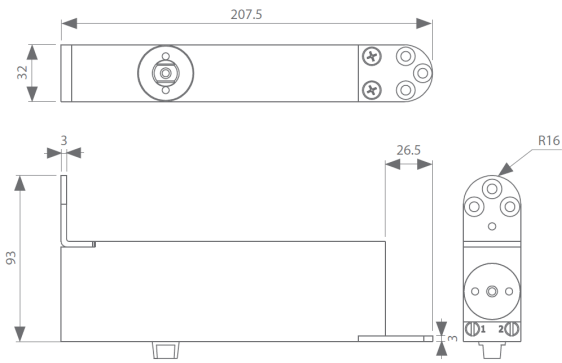
Upper part of door opening



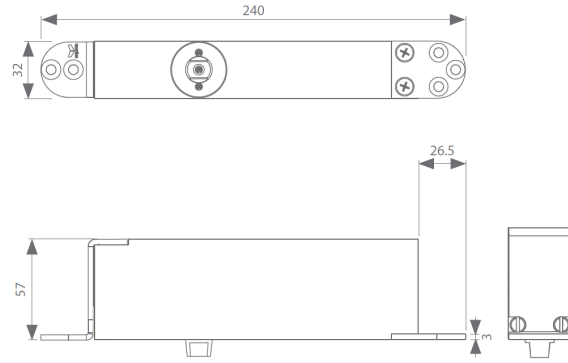
Upper part in door leaf



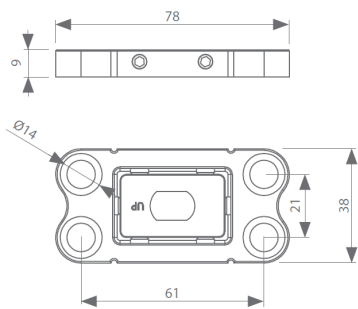
Bottom part in door - corner position



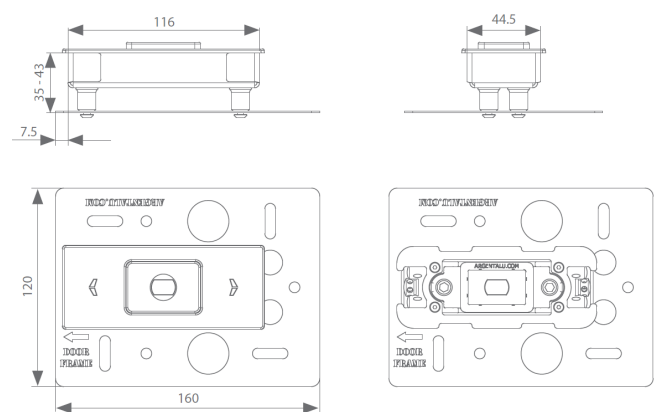
Bottom part in door - center or off-center position



Base part of floor - floor mounted



Base part of floor - Built In



The fact that the pivot point can be chosen at will allows for creativity, especially considering that no door frame is needed, allowing the door to be perfectly flush with the wall.



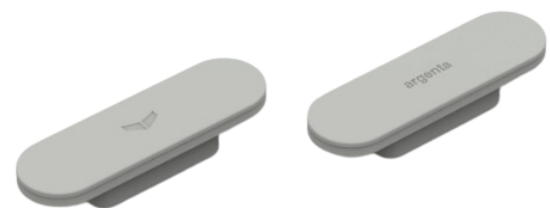
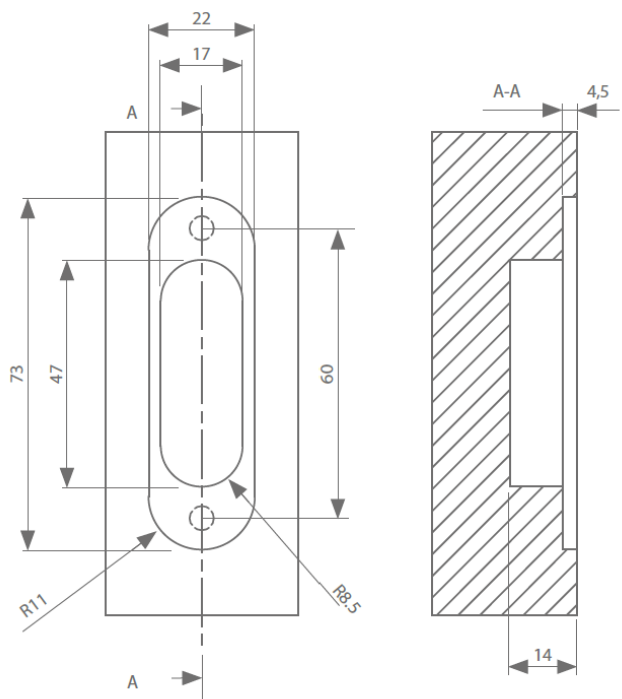
MAGNOTICA PRO

The magnotica pro is a magnetic and contactless door closer which holds interior doors shut without the need for a door handle or latch. Because there are no moving parts, the door can be opened and closed completely without making any noise.

The magnotica pro is ideal in combination with all argenta pivoting hinges and the argenta® invisidoor door frames. The contactless door closer can be used both vertically (reveal of the door leaf) and horizontally (top of the door leaf) on any type of door frame.

What are the benefits?

- No moving parts to wear out
- Silent mechanism due to no friction
- Door can be opened and closed noiselessly without a door handle or latch
- Doors are quick and easy to open and close
- Perfect integration in the argenta invisidoor DL or 2.0 possible
- Ideal for doors to walk-in closets or storerooms
- Perfect for keeping pivoting doors in their closed position
- Thanks to the extra cover plate the screws are concealed
- Available in white, black or grey





triline.
net.au

Head Office/Factory
86 Sunderland Street
Derwent Park TAS 7009

1300 239 206
sales@triline.net.au

[linkedin.com/company/triline](https://www.linkedin.com/company/triline)
[facebook.com/trilinequalitydoorsystems](https://www.facebook.com/trilinequalitydoorsystems)

@trilinedoors
triline.net.au