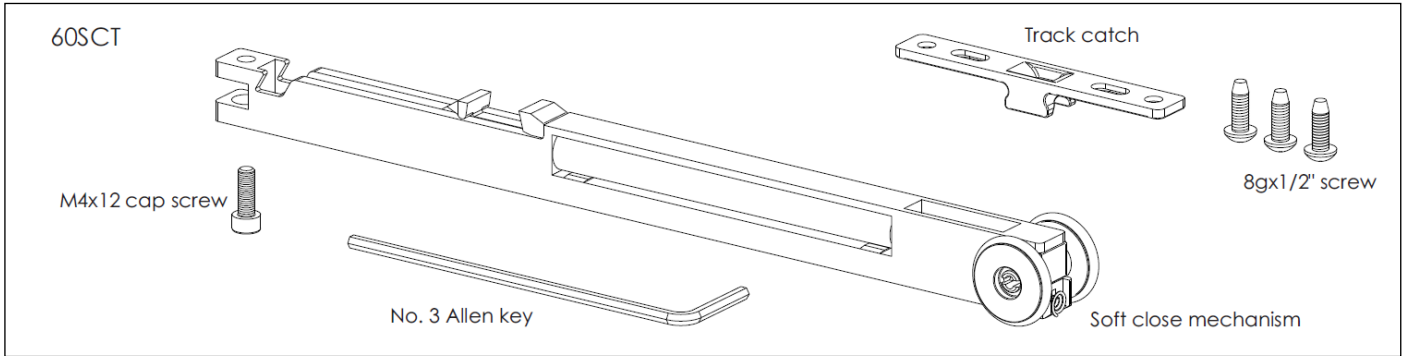
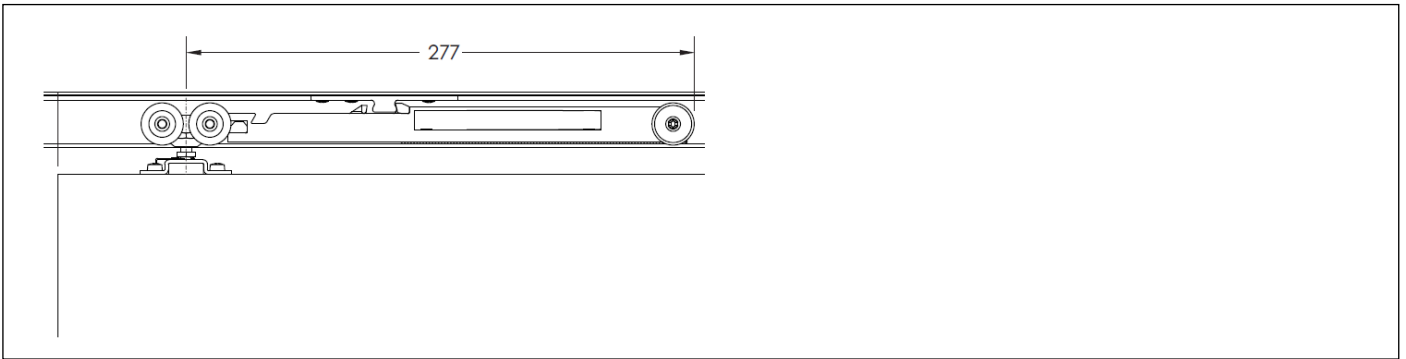


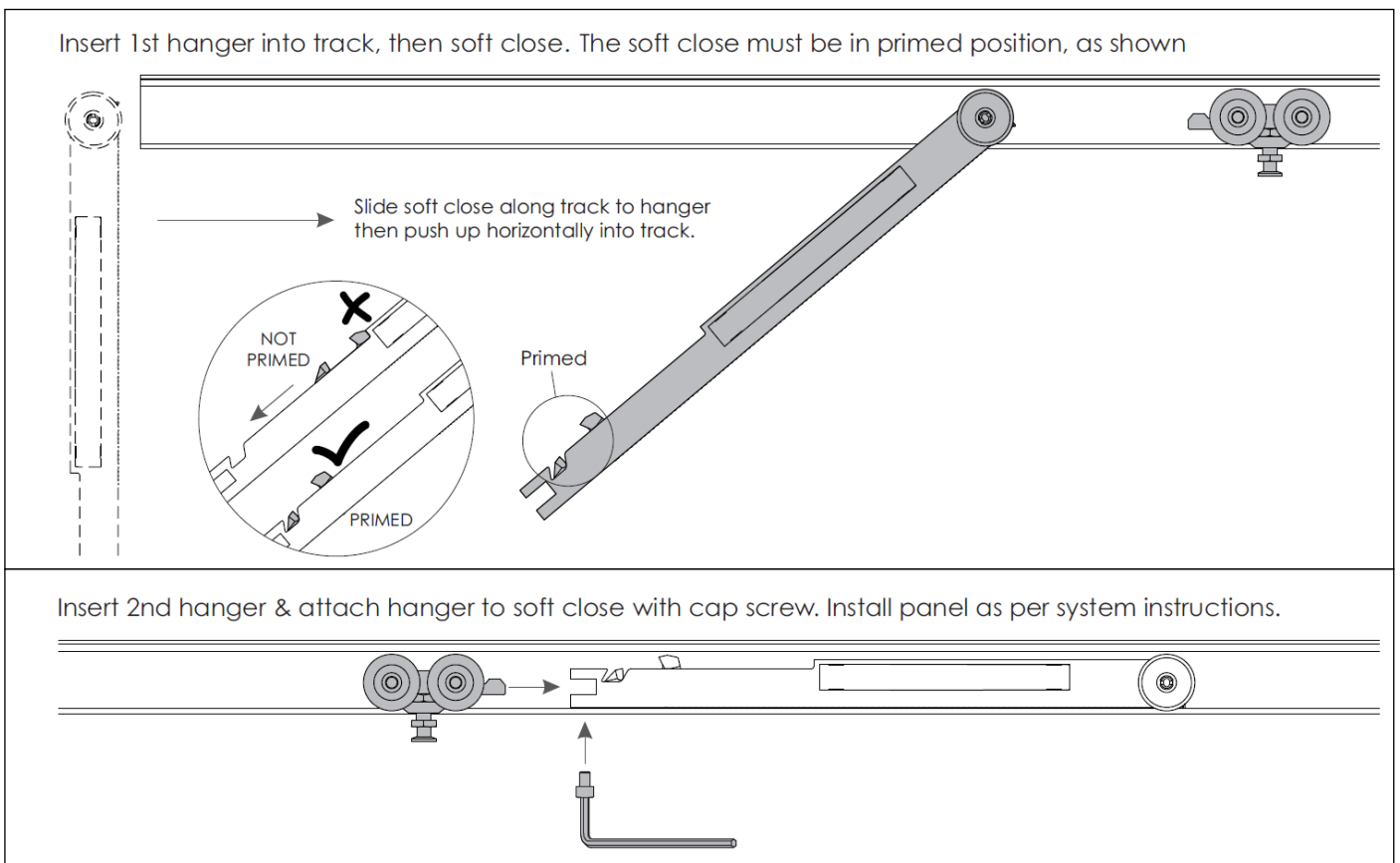
Components



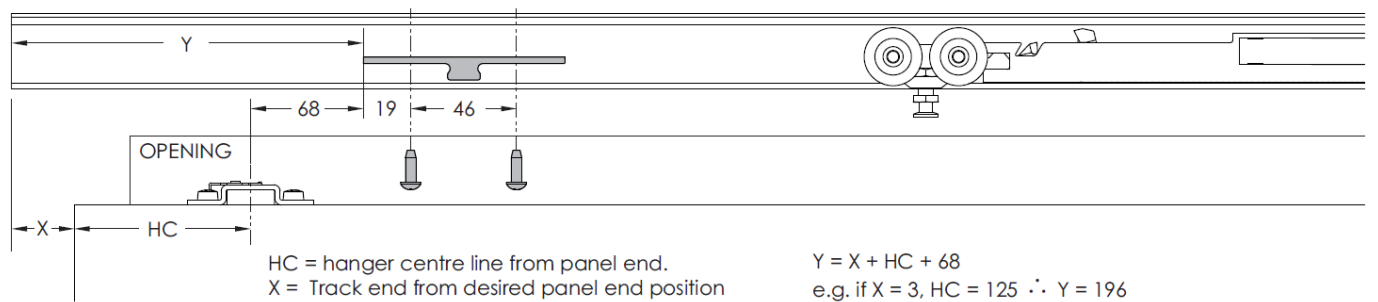
Applications



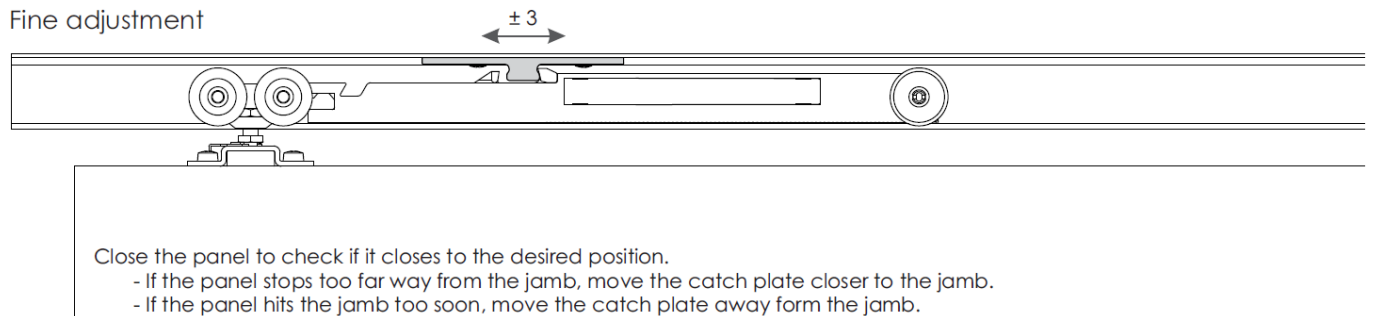
Installation



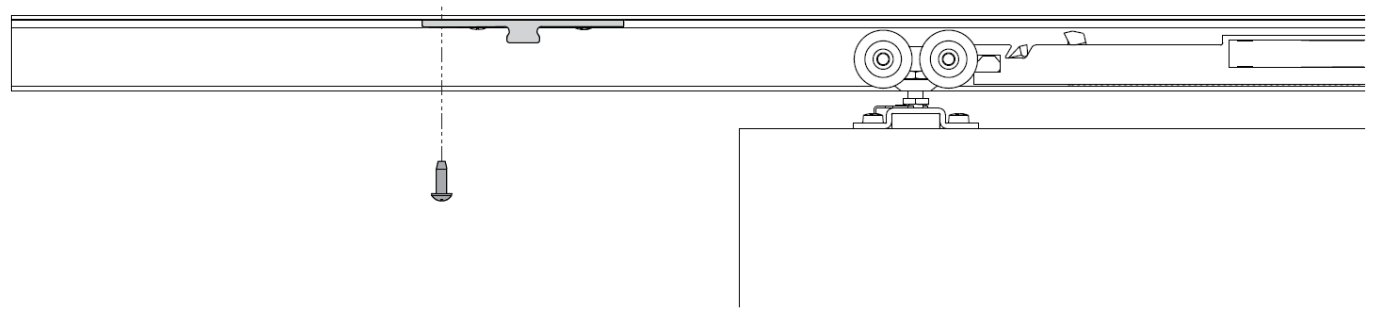
Fix catch plate into track through slotted holes with 2 screws only



Fine adjustment



Adjust catch plate as required. Secure in final position with the 3rd screw



Do You Need A Pocket Door Release?

What is the Pocket Door Release?

This is a neat alternative to access your door from the cavity pocket. The door release works by loading a spring mechanism which is installed into the back of your door. Once the spring is charged, simply push the leading edge of the door into the pocket and the spring releases, popping the door out of the cavity for you to pull closed.

Why should I use one?

- No more holes or small latches needed
- No door projection required
- Quick and easy to install
- Can be used on new or existing doors weighing up to 72kg



© TRILINE 2020

Head Office/Factory
86 Sunderland Street
Derwent Park TAS 7009

Tel: 1300 239 206
Email: sales@triline.net.au

Queensland Office/Factory
4 Railway Court
Glanmire QLD 4570

Tel: 07 5481 2336
Email: qldsales@triline.net.au

 www.triline.net.au

 [trilinequalitydoorsystems](https://www.facebook.com/trilinequalitydoorsystems)

 Triline Quality Door Systems