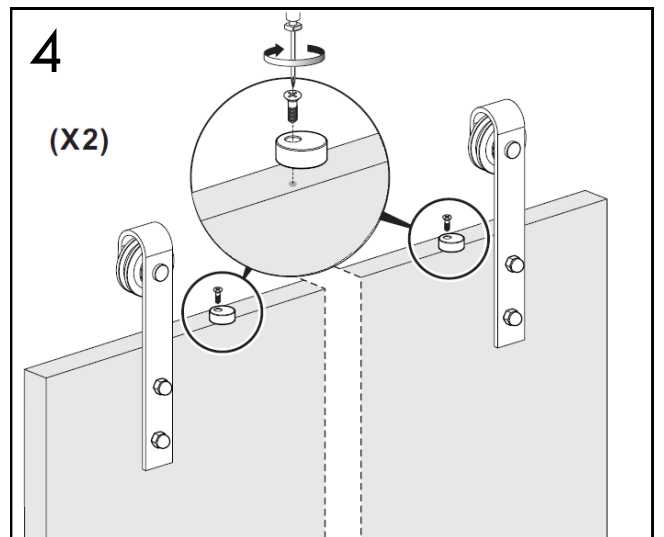
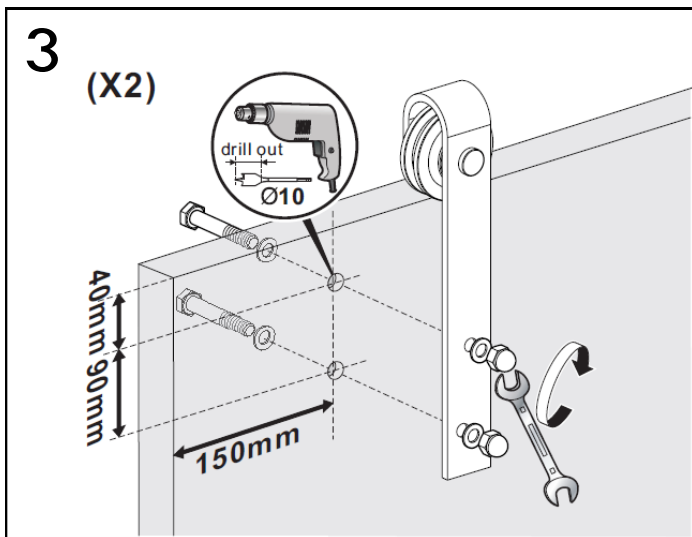
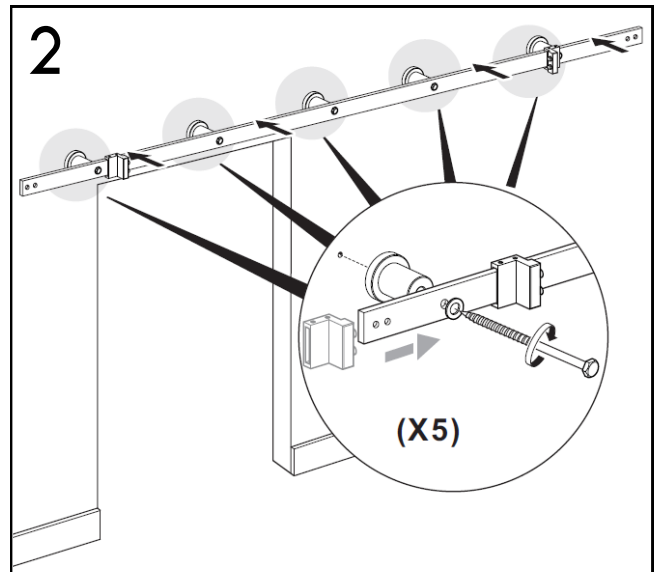
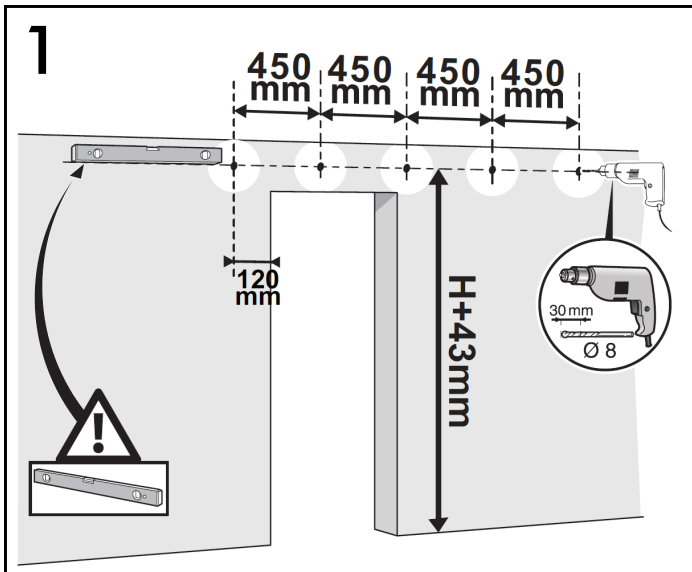
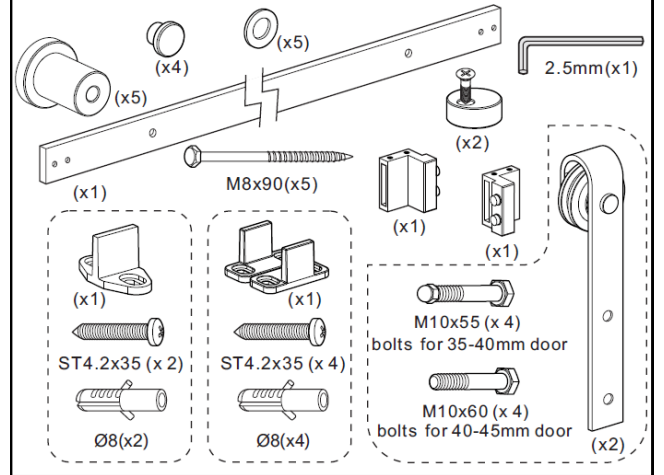
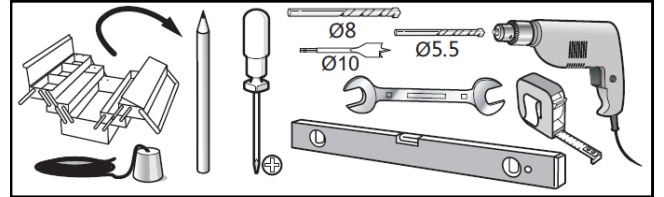
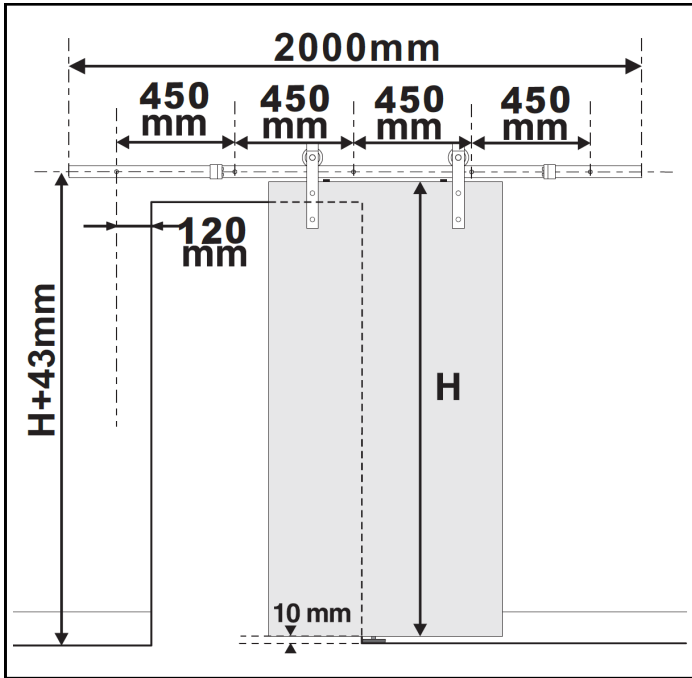
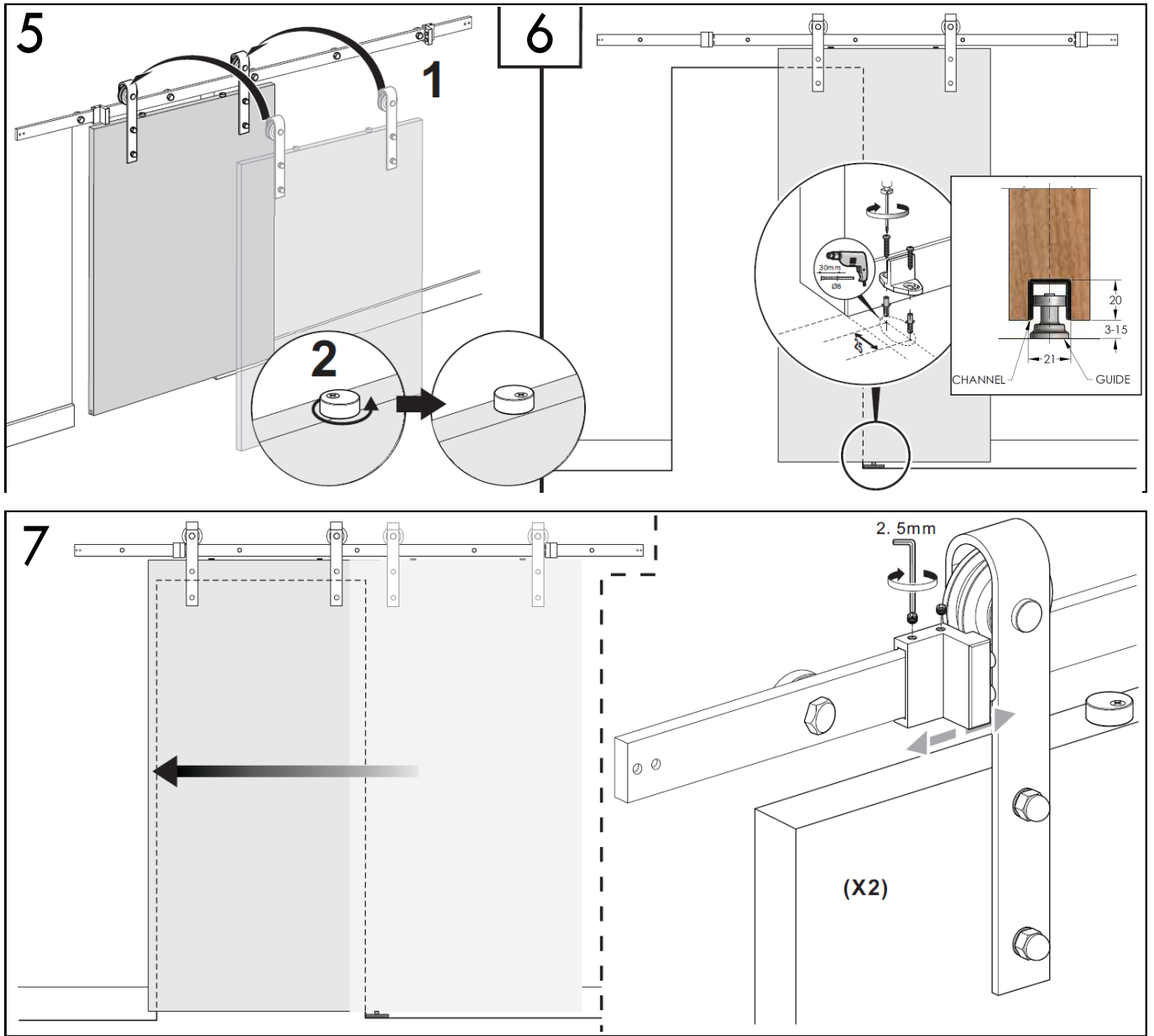


**TRILINE FLAT BAR OPEN RAIL SLIDER**  
**Installation Instructions**

Maximum door weight is 150kg





PRODUCT IMPROVEMENT IS A CONTINUOUS PROCESS & SPECIFICATIONS ARE SUBJECT TO CHANGE WITHOUT NOTICE.

© TRILINE 2017 E&OE

Triline Services Tasmania  
 86 Sunderland Street, Derwent Park TAS 7009  
 P: 03 6272 9861 F: 03 6273 5022  
 E: sales@triline.net.au www.triline.net.au