

Face of Wall Sliding Doors

TRILINE ARCHITECTURAL SLIDING DOOR SYSTEMS



TRILINE 2024

1300 239 206
sales@triline.net.au

[linkedin.com/company/triline](https://www.linkedin.com/company/triline)
[facebook.com/trilinequalitydoorsystems](https://www.facebook.com/trilinequalitydoorsystems)

@trilinedoors
triline.net.au





Index

OVERVIEW

4-6 Introduction

7-10 Specifications

11-12 Elevations & Configurations

13 Accessories

14-15 Project Feature

Transform any opening with a surface sliding solution.

No Wall Pocket, No Problem: Sleek Sliding Solutions for Any Doorway

The Face of Wall Sliding Door System is a sleek and functional solution for modern spaces. Designed to maximize room efficiency and style, these surface-mounted sliding doors glide seamlessly along a wall or ceiling-mounted track, providing versatility without the need for invasive pocket installation. Whether you're looking for a subtle divider or a bold statement piece, our range of surface sliding door options offer the flexibility and aesthetic appeal to suit any project.



What are face of wall sliding doors?

Face of wall sliding doors, also known as surface-mounted or barn doors, offer a space-saving alternative to traditional hinged or pocket doors. These doors glide along a visible or concealed track mounted on the surface of the wall or ceiling, offering a versatile and easy-to-install solution for any space. With no need for internal wall modifications, they are ideal for adding style and function to existing structures.



Why face of wall sliding doors?

Surface sliding doors are the perfect solution when a wall structure cannot accommodate a pocket door. They are also a great choice when you want to feature a standout door or if you're working on a DIY project that requires a quick and easy upgrade to an existing opening. They offer a hassle-free installation and add style without compromising on space.

KEY FEATURES

Face of wall sliding doors offer a space-saving design, ideal for tight spaces or where pocket doors aren't feasible. With various track options, these doors are easily installed on existing walls and provide a sleek, modern alternative to traditional swinging doors.

BEST APPLICATIONS

These sliding doors are perfect for residential interiors like bedrooms and home offices, as well as commercial spaces like conference rooms. They are especially useful in renovation projects or areas where feature doors can enhance the aesthetic appeal of a room.

ADVANTAGES

Surface sliding doors are highly versatile, easy to install, and require minimal structural alterations. They save space by eliminating the need for door swings, offer a range of design options, and provide an opportunity to showcase bold, statement doors.

IN DETAIL

Triline Face of Wall Sliding Systems

Whether you're designing a stylish home interior or enhancing a commercial space, surface sliding doors offer unmatched versatility. Commonly used in both residential and commercial settings, they create flexible transitions between rooms or highlight feature doors as design elements.

In homes, surface sliding doors are ideal for creating seamless partitions in living areas or as sleek closet solutions, providing a modern, space-saving alternative to traditional hinged doors. Their easy installation and variety of track options make them a practical choice for both renovations and new construction projects.

FEATURES



Space Saving

Ideal for small or awkward spaces



Door Weight

Standard carrying capacity is 60kg or 120kg. 180kg or 350kg available upon request.



Optional Applications

A range of track options to suit different design aesthetics. Offers a stylish way to divide spaces or create privacy.



Installation

Easy installation with no need for invasive wall modifications.

Types of Surface Sliders

1. CONCEALED TRACK

Features:

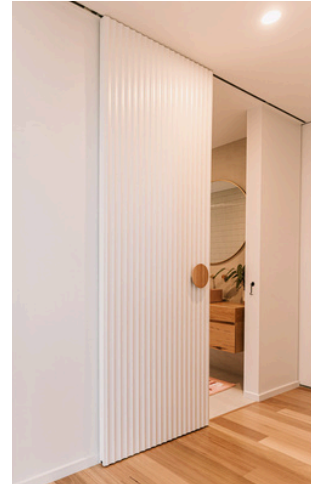
A concealed track system that can be mounted on the ceiling or on the face of the wall. The wall-mounted version can be enhanced with a timber pelmet for a refined look.

Best Application:

Perfect for those seeking a minimalist design where the track blends seamlessly with the architecture.

Advantages:

Discreet appearance, customizable with pelmets, suitable for modern interiors.



2. INVISIBLE TRACK - SLIDO D-LINE

Features:

A truly invisible track system where the track is affixed to the back of the door panel and the running gear is attached to the wall. This creates a floating effect for the door.

Best Application:

Ideal for spaces where you want the door to be the focal point without visible hardware.

Advantages:

Clean and modern aesthetic, no visible track, enhances the sleekness of any interior.



3. BARN DOOR TRACK

Features:

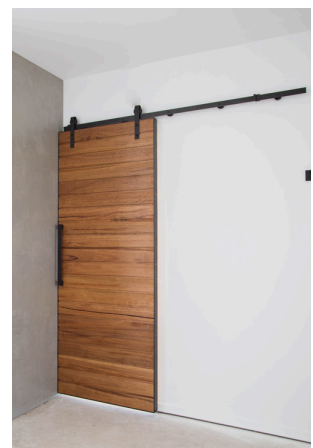
A traditional steel rail system with strap hangers, commonly in a matte black industrial finish. This track system is a design feature in itself, adding character to any room.

Best Application:

Great for rustic, industrial, or farmhouse-inspired interiors where the track is as much of a feature as the door itself.

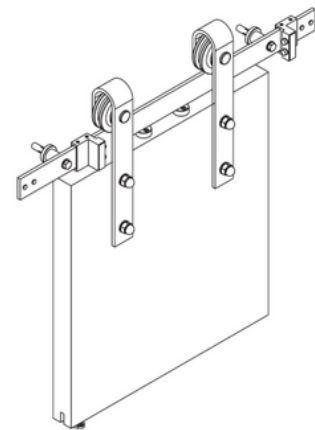
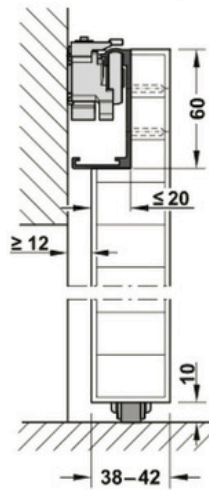
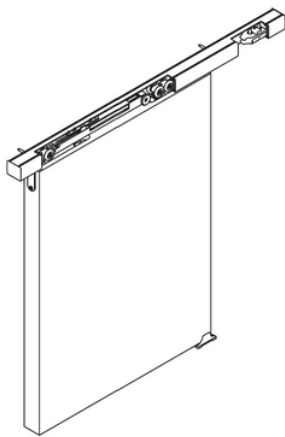
Advantages:

Sturdy and durable, visually striking, perfect for feature doors.



IN DETAIL

Specifications

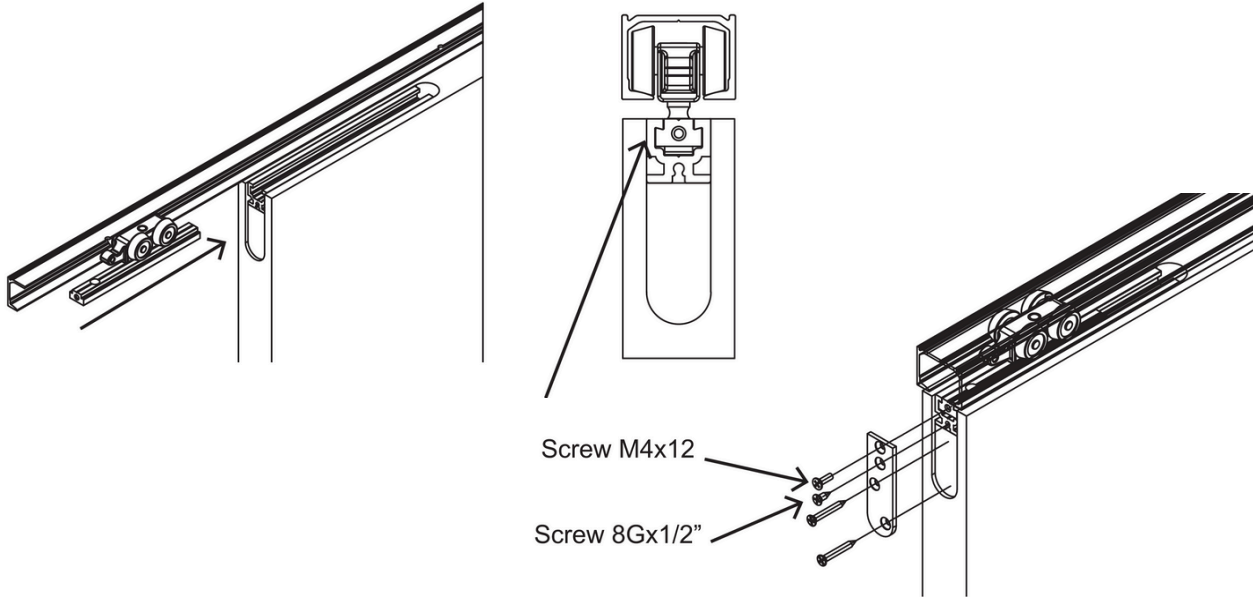


| | |
|--------------------------------|----------------------------------------|
| Max Door Weight | 60kg, 120kg, 180kg or 350kg on request |
| Soft Close Option | Yes |
| Max Door Height | 3000mm |
| Max Door Width | 1500mm |
| Clearance Above Door | Concealed Track: 5mm |
| Clearance Below Door | Concealed Track: 10mm |
| Suitable for Full Height Doors | Yes |

**Note: max door height & width may vary depending on the weight of the door.

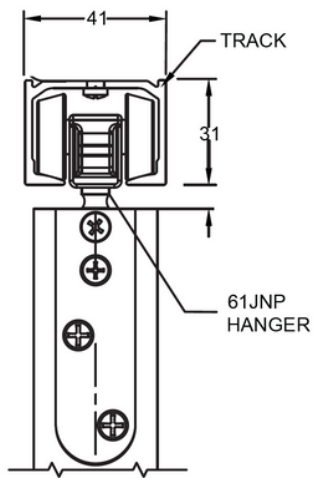
IN DETAIL

Specifications

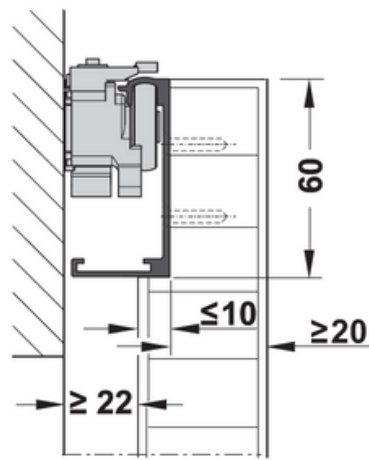


Elevations

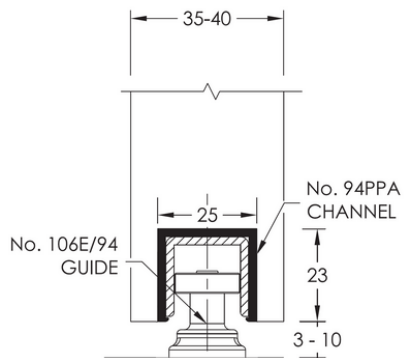
TOP ZERO CLEARANCE TRACK SETUP 120KG



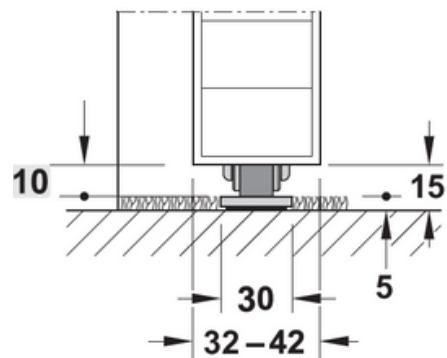
TOP SLIDO D-LINE TRACK SETUP 80KG



BOTTOM ROLLER GUIDE SETUP



BOTTOM ROLLER GUIDE SETUP



Configurations

SINGLE SURFACE SLIDER



BI-PARTING (DOUBLE) SURFACE SLIDER

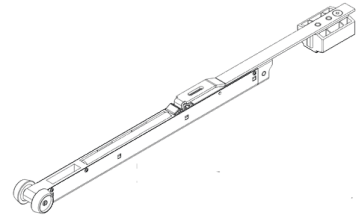


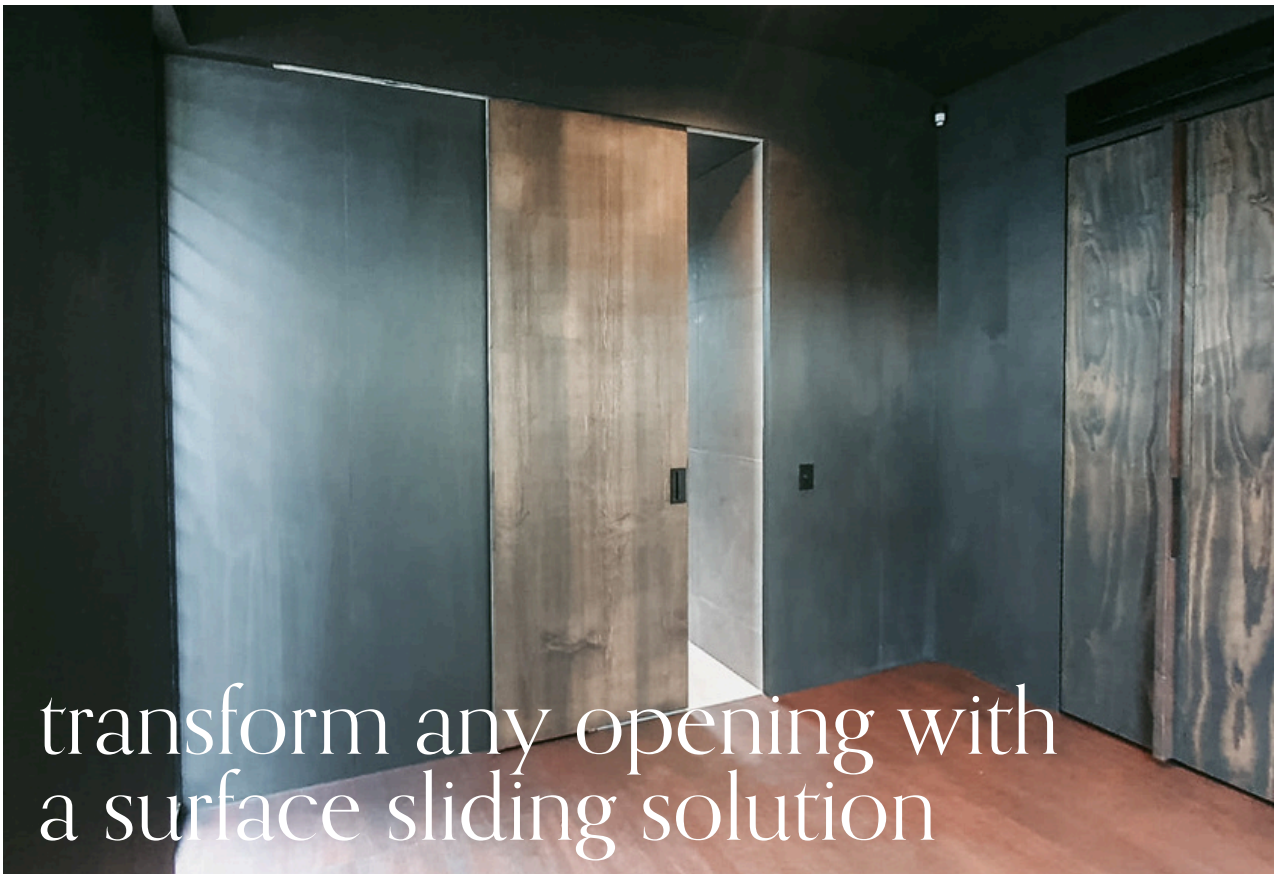
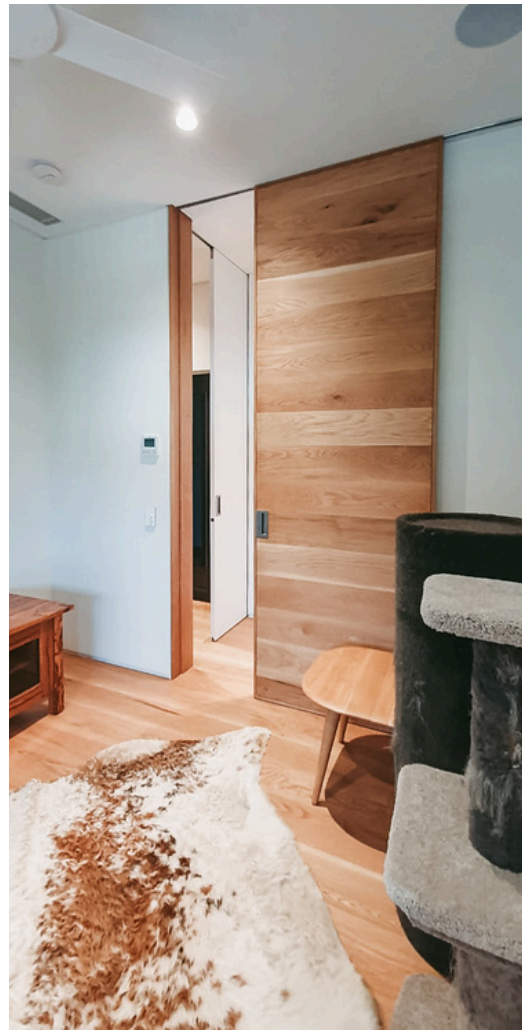
**Note: let us know if you have a different application or configuration e.g telescopic.

Accessories

Soft Close

The mechanism catches the moving door and reduces its speed before drawing it towards the jamb ensuring a quiet and soft stop every time. This reduction in speed also means little fingers are kept safe from slamming doors.







triline.
net.au

Head Office/Factory
86 Sunderland Street
Derwent Park TAS 7009

©Triline 2024

Sunshine Coast Factory
4 Railway Court
Glanmire QLD 4570

1300 239 206
sales@triline.net.au

linkedin.com/company/triline
facebook.com/trilinequalitydoorsystems

@trilinedoors
triline.net.au