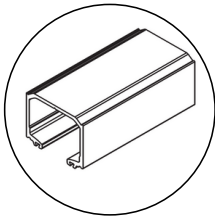


INSTALLATION INSTRUCTIONS

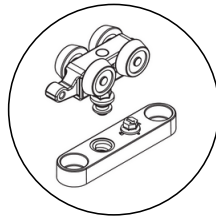
# Hercules Surface Slider

T GUIDE

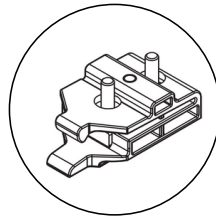
## COMPONENTS



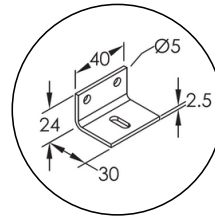
1 X TRACK



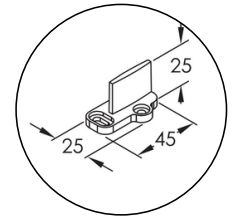
2 X HANGERS



2 X CLIP STOPS



MOUNTING  
BRACKETS



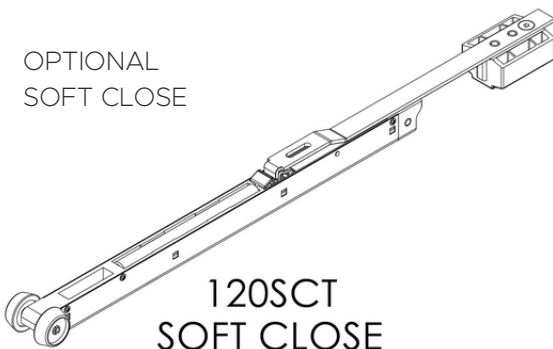
1 X GUIDE

The aluminium track may be fitted directly to the lintel, in single or multiple lines, or face fitted to the lintel using a single line of brackets.

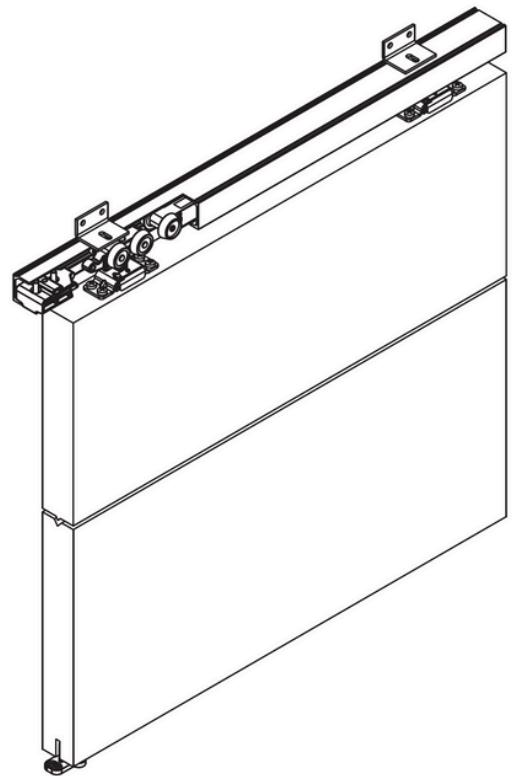
Fascia accessory with end caps also available on request.

Hangers come standard with a steel mounting bracket and four nylon tyred wheels with precision bearings. Clip stops are provided but can be upgraded to a soft close device for improved operation.

OPTIONAL  
SOFT CLOSE



120SCT  
SOFT CLOSE



# INSTRUCTIONS

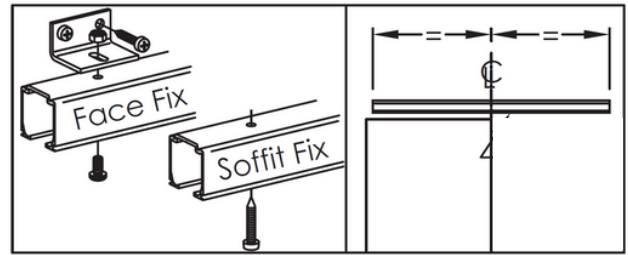
## 1. FIX TRACK

Ensure the track is mounted parallel to the floor.

Soffit Fix: position 8g screws first 50mm in from each end and then every 450mm approx centres.

Face Fix: use L shaped bracket (see qty chart below)

Track Length	2000mm	3000mm	4000mm	6000mm
Bracket Qty	5	8	10	15

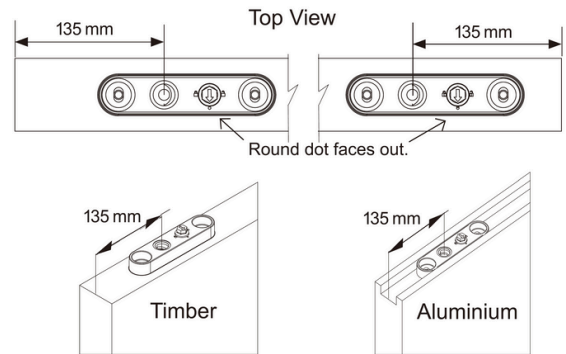
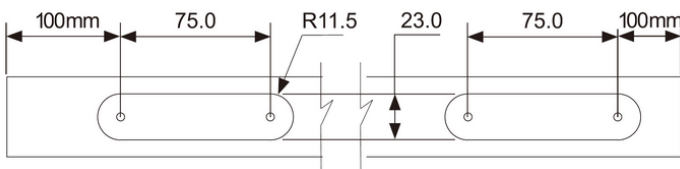


## 2. ATTACH HARDWARE TO PANEL

Prepare the door panel for the mounting brackets.

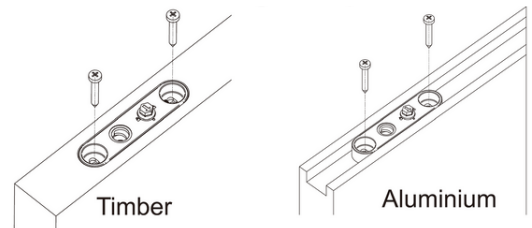
Use bracket as template to mark the hole positions on panel. Make sure the 2 hanger brackets are in the same orientation.

Rout 12mm recessed slot (timber only) and pre-drill pilot holes for 10G screws.



## 3. FIT HANGER PLATES

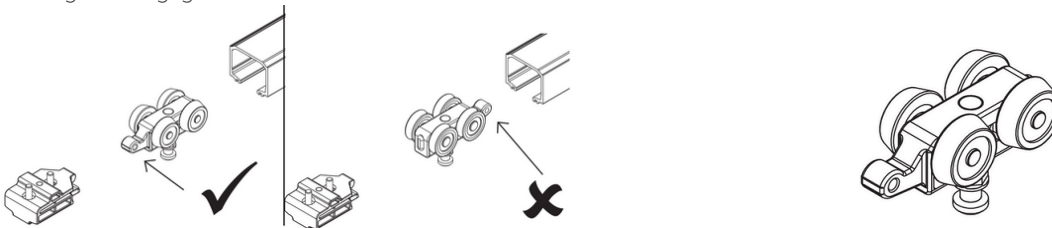
Fix bracket with mounting screws provided.



## 4. HANG THE DOOR

Insert hanger with bolt into the track.

If using 120CS clip stops, ensure correct orientation of hanger to engage the 120CS.

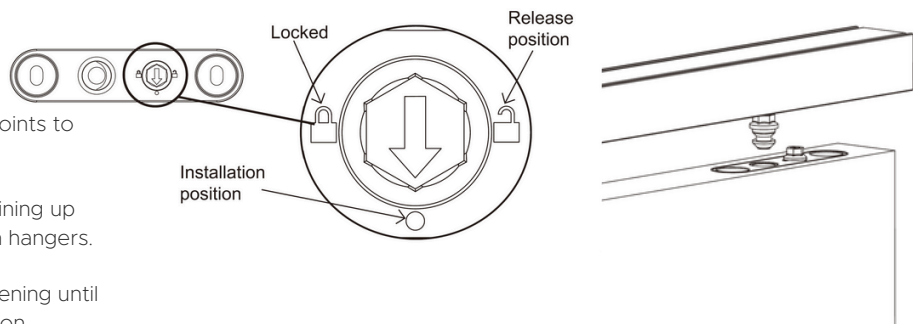


## 5. ATTACH PANEL TO HANGER

Make sure the arrow on the locking lever points to the round dot.

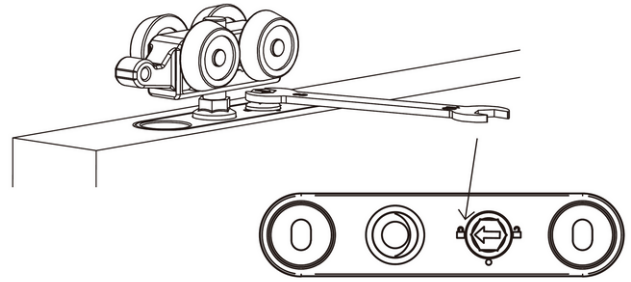
Carefully lift the door panel with brackets, lining up the opening of the bracket with the bolt on hangers.

Locate the hanger bolt into the bracket opening until the locking lever clips into the locked position.



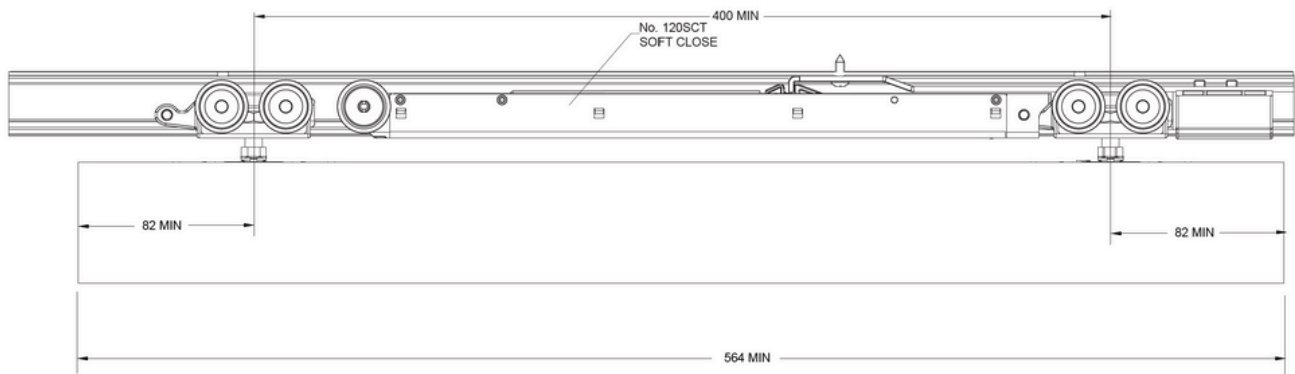
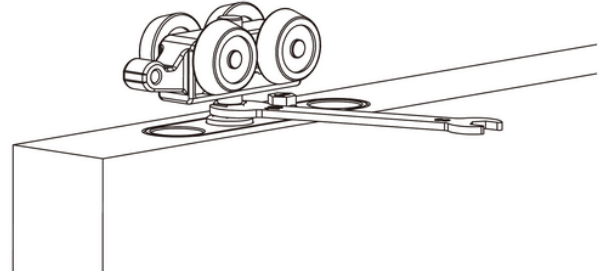
## 6. LOCKING

Use the spanner to turn the locking lever 90 degrees clockwise so the arrow points to the lock symbol.



## 7. ADJUSTMENT

Using the provided spanner, adjust the door height to align the face of the door edge to be flush with the split jambs. Clockwise rotation will lower the panel, and anti-clockwise will raise the panel.

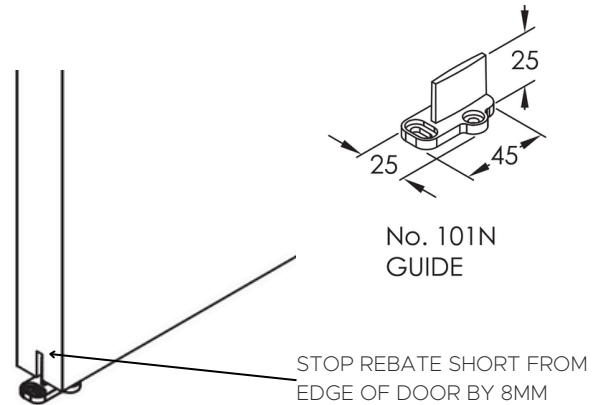


## 8. GUIDES

Fit T guide to finished floor centrally beneath track above so the door hangs straight.

The T guide will need to sit in the middle so it engages with the door at all times.

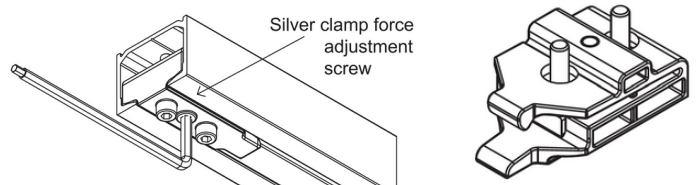
- To further enhance the finish, stop the bottom saw cut channel rebate short from the edge of the door by 7-8mm from the leading edge of the door.



## 9. FIT CLIP STOPS OR SOFT CLOSES

Clip Stop - 1 for each end. The outer screws are for fixing. The inner screw adjusts strength of clipping.

If you're using a soft close the stop is part of the actuator - install as per 120SCT Instructions.

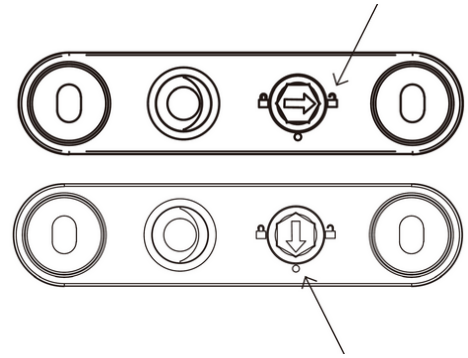


---

## 10. RELEASING THE PANEL

To release the panel, support the panel and turn the locking lever anti-clockwise to the released position and then lower the panel.

Make sure to turn the locking lever to installation position after the panel is removed.

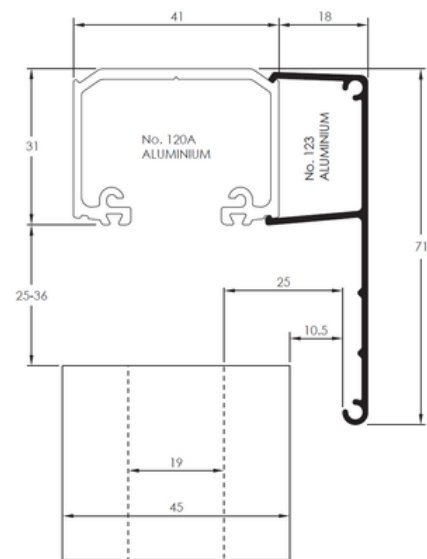


---

## 11. CLIP ON FASCIA - OPTIONAL EXTRA

If you're using the clip on fascia this can be added to the side of the track with the end caps covering each end.

Fascia comes in clear anodised finish and needs to be requested as additional item.



---

## 11. CARE AND MAINTENANCE

### General

Inspect all fixing bolts for tightness every six months, including those securing brackets. Tighten if necessary. Routinely check for wear and if excessively worn, the part should be replaced.

To help prevent surface corrosion, wash regularly with soap or mild detergent and warm water followed by rinsing with clean cold water and wipe dry.

### Track

Keep track free from obstruction and excessive dirt or water. Visible surfaces should be cleaned using a damp cloth and mild detergent, then wiped dry.

### Hangers

All hangers are fitted with lubricated ball-bearings, requiring no greasing. If doors 'settle' and door clearance is reduced causing friction, raise the door by the hanger adjustment nuts. Wash as per the above recommendation and apply a light application of corrosion preventative to all surfaces, using a dry cloth to remove excess.

### Guides

Guide roller and guide channel must be kept clear and free of obstructions. Wash as per the above recommendation and apply a light application of corrosion preventative to all surfaces, using a dry cloth to remove excess.

Product improvement is a continuous process & specifications are subject to change without notice.

© COPYRIGHT 2024 E&OE