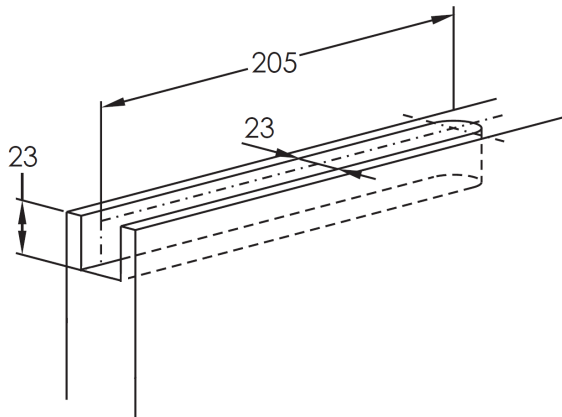
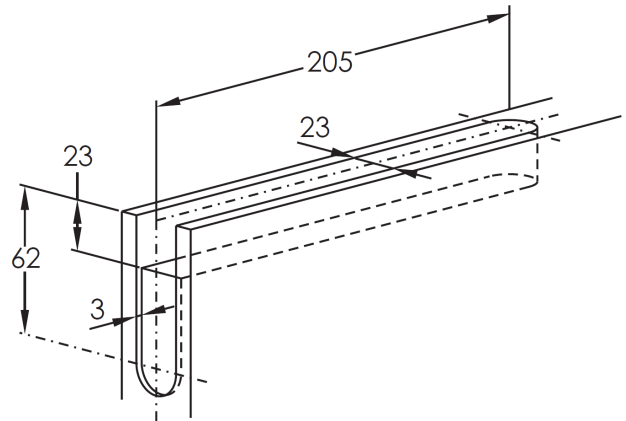


TOP REBATES FOR HANGER

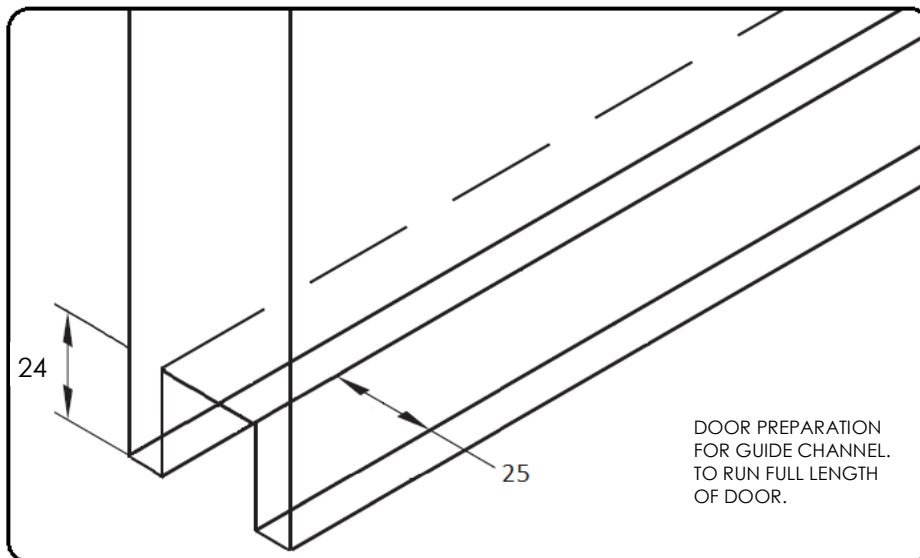
Up To 50kg Weight Rating
REQUIRED BOTH ENDS



51-120kg Weight Rating
REQUIRED BOTH ENDS



BOTTOM REBATE FOR GUIDE CHANNEL



© TRILINE 2020

Head Office/Factory
86 Sunderland Street
Derwent Park TAS 7009

Tel: 1300 239 206
Email: sales@triline.net.au

Queensland Office/Factory
4 Railway Court
Glanmire QLD 4570

Tel: 07 5481 2336
Email: qldsales@triline.net.au



www.triline.net.au



trilinequalitydoorsystems



Triline Quality Door Systems