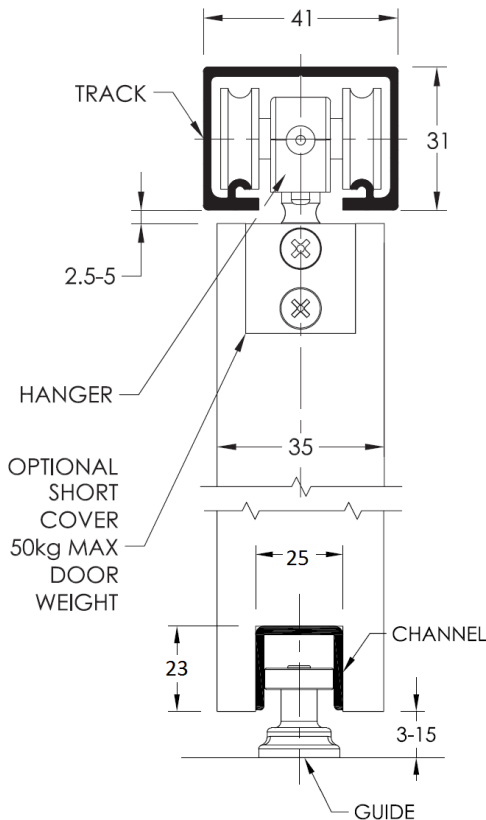


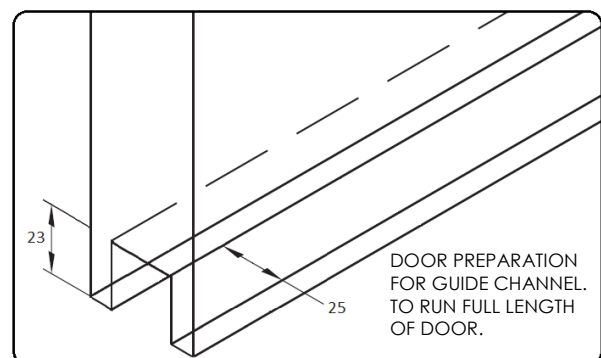
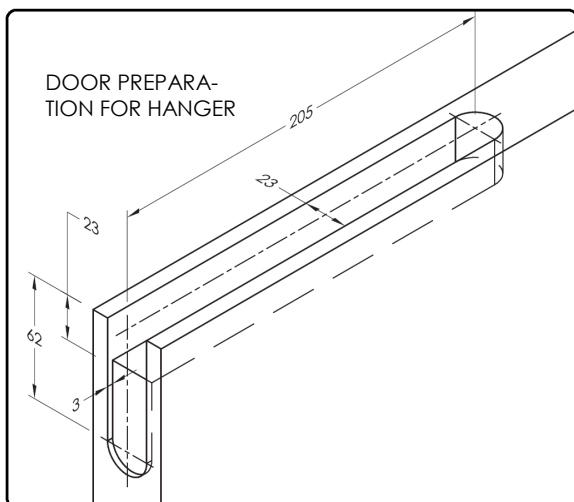
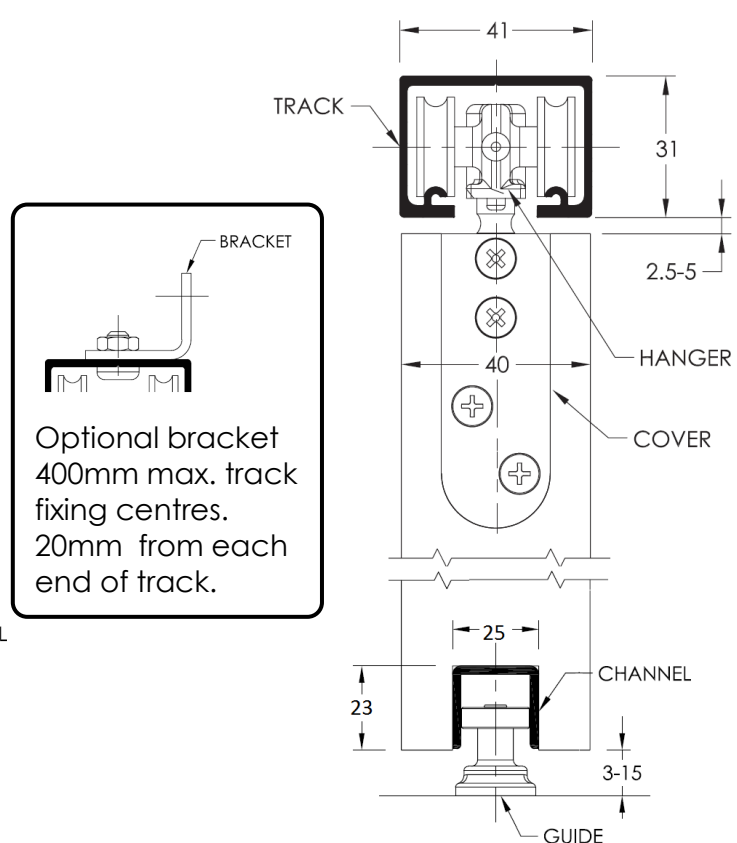
## 80kg Weight Rating

4-wheel polymer hanger with reinforced nylon outer tyres, with chrome precision bearings. Stainless steel fixing plates and hanger bolts. Standard roller guide.



## 120kg Weight Rating

4-wheel cast stainless steel hanger with reinforced nylon outer tyres, with chrome precision bearings. Stainless steel fixing plates and hanger bolts. Standard roller guide.



© TRILINE 2020

**Head Office/Factory**  
86 Sunderland Street  
Derwent Park TAS 7009

**Tel:** 1300 239 206  
**Email:** sales@triline.net.au

**Queensland Office/Factory**  
4 Railway Court  
Glanmire QLD 4570

**Tel:** 07 5481 2336  
**Email:** qldsales@triline.net.au

www.triline.net.au

trilinequalitydoorsystems

Triline Quality Door System