

# Self Close Timber 40-120kg

TRILINE TRADITIONAL CAVITY SLIDING DOOR SYSTEMS



TRILINE 2024

1300 239 206  
sales@triline.net.au

[linkedin.com/company/triline](https://www.linkedin.com/company/triline)  
[facebook.com/trilinequalitydoorsystems](https://www.facebook.com/trilinequalitydoorsystems)

@trilinedoors  
triline.net.au


**triline**

# Smooth, Controlled, and Quiet Closures with Triline Self Close

## **Engineered to Elevate Convenience in Every Space**

Welcome to the next generation of door technology. Our new self-closing mechanism for sliding doors redefines convenience and sophistication in modern interior spaces. Meticulously designed for optimal performance, this system seamlessly integrates into both residential and commercial settings, providing a perfect blend of functionality and style.

Our self-closing mechanism features the advanced SAHECO solution, ensuring smooth and controlled door operation with minimal effort. The extendable nylon cable paired with the soft close deliver a quiet, gentle, and vibration-free closing experience. With an adjustable gearing system, it adapts to various door weights, supporting up to 120kg, making it versatile for any environment. This innovative mechanism not only enhances the aesthetic appeal of your space but also offers unparalleled convenience and reliability, setting a new standard for modern architectural projects.



# What are self-close cavity sliders?

Self-close sliding doors are equipped with a mechanical system that uses elastic cables to automatically close the door. They offer two cable options, tailored to the door's weight and the desired closing speed, ensuring a smooth and quiet action. Additionally, by integrating the Softclose device this ensures the door closes gently and safely against the jamb, preventing finger injuries and enhancing overall performance.



IN DETAIL

# Triline Self Close Cavity Slider Accessory

Builders and architects specify self-closing sliding doors for interior spaces due to their numerous benefits in enhancing functionality, safety, and aesthetics. These doors provide a seamless and automatic closure, ensuring spaces remain secure and private without requiring manual intervention, which is particularly advantageous in high-traffic or public areas.

Their ability to automatically close also helps prevent the spread of noise, maintaining a quiet and peaceful environment. By incorporating these doors, builders and architects can offer clients a practical and stylish solution that enhances the overall functionality and appeal of interior spaces.

## FEATURES



### Automatic Closing

Utilizes a nylon cable on a retractable reel with the last 10cm of the door's movement soft close.



### Quiet Operation

Designed to close with minimal noise and vibration.



### Adjustable Tension

Extractable gearing that can be set to match the door's weight, up to 120kg.



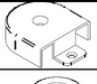










### Easy Installation

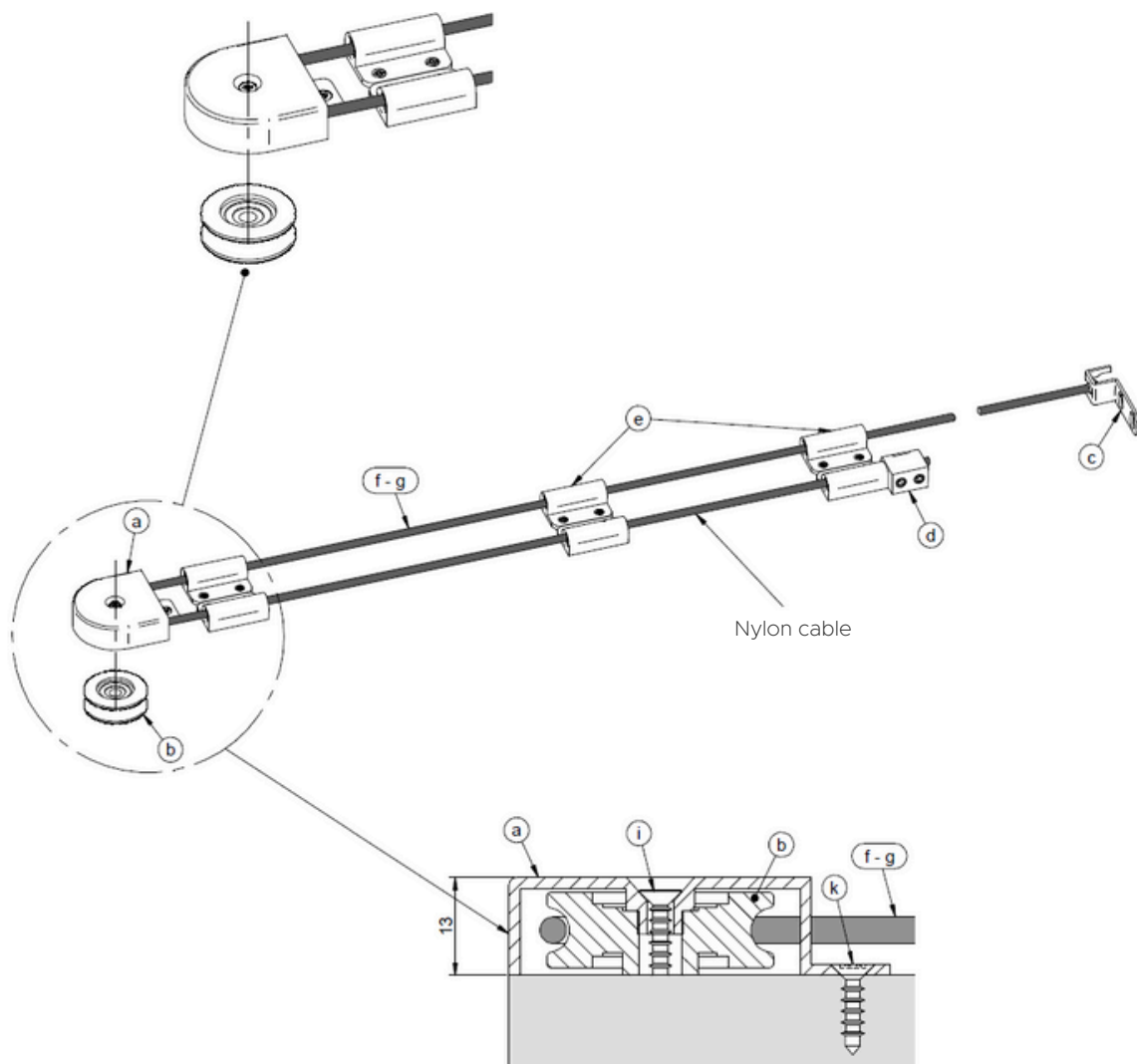
Simple setup with minimal tools required. Suitable for a variety of door types and environments.



IN DETAIL

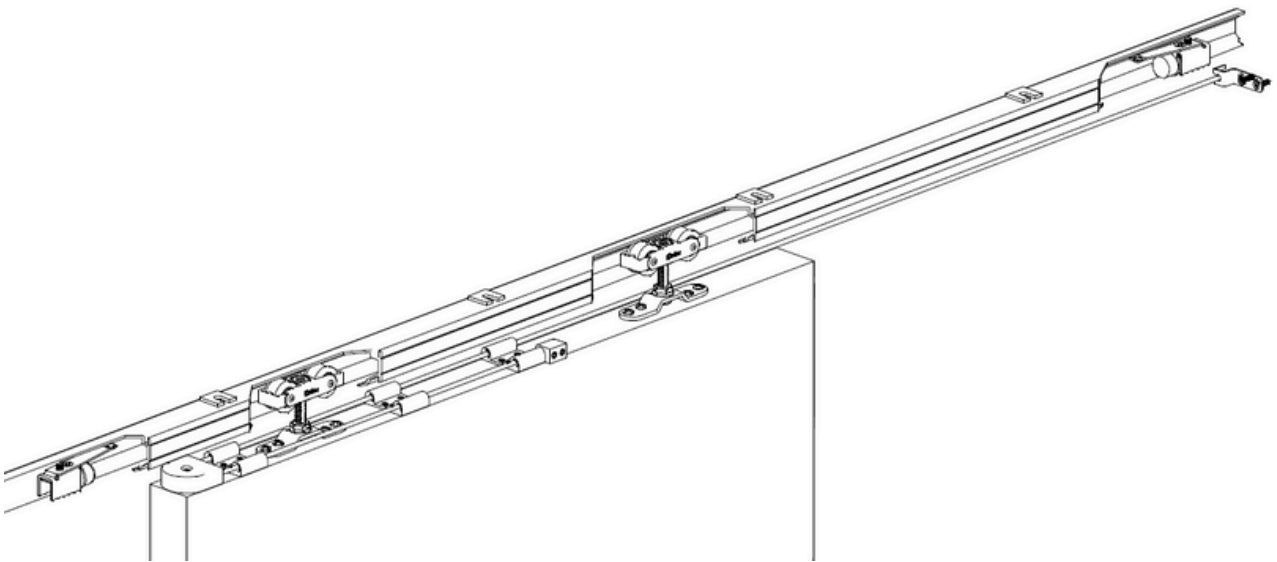
# Specifications

a		1	f		3m.	1
b		1	g		3m.	1
c		1	h			1
d		1	i		3x25	1
e		6	j		3,5x16	2
			k		3x12	13



IN DETAIL

# Specifications



Max Door Weight	40-120kg
Soft Close Option	Yes, this can be paired with our soft close.
Compatible Cavity Units	Triline Phoenix, Triline Hercules
Clearance Required Above Door	15-20mm
Suitable for Full Height Doors	No
Installation	Can be installed at time of door installation or fitted to an existing sliding door.

# Why Self Close sliding door systems?

Self-closing sliding doors offer exceptional convenience and efficiency in both residential and commercial settings. Automatically closing after being opened, they ensure security and privacy without manual effort, making them ideal for high-traffic areas where doors are often left open.

Additionally, these doors enhance safety and energy efficiency. In homes, they help contain children and pets, while in commercial buildings, they can contribute to improve climate control by reducing drafts and heat loss, leading to energy savings.

---

## IMPROVED SAFETY & CONVENIENCE

Prevents doors from accidentally remaining open, enhancing security and privacy. Automatically closes the door, reducing the need for manual operation.

---

## ADJUSTABLE TENSION

Extractable gearing that can be set to match the door's weight, up to 120kg.

---

## EASY INSTALLATION

Simple setup with minimal tools required. Suitable for a variety of door types and environments.

---

# triline. net.au



Head Office/Factory  
86 Sunderland Street  
Derwent Park TAS 7009

Sunshine Coast Factory  
4 Railway Court  
Glanmire QLD 4570

1300 239 206  
sales@triline.net.au

[linkedin.com/company/triline](https://www.linkedin.com/company/triline)  
[facebook.com/trilinequalitydoorsystems](https://www.facebook.com/trilinequalitydoorsystems)

@trilinedoors  
triline.net.au